



TRANSFORMING WINDOWS

## Fitting Instructions

for venetian blinds  
(VN25, VN25S)



## Fitting Instructions

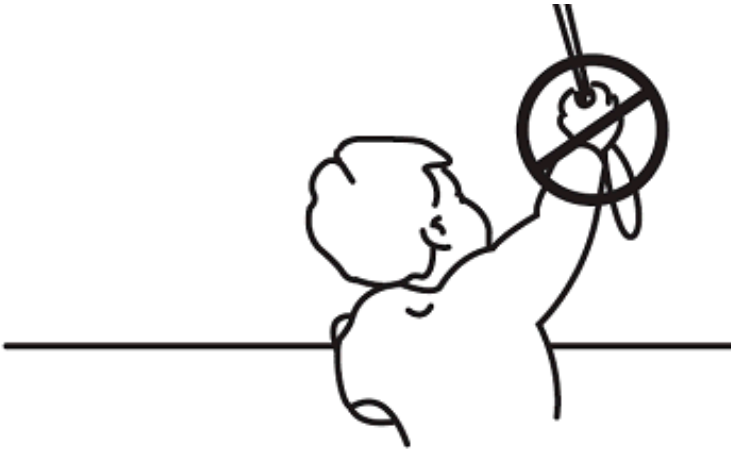
venetian blinds  
(VN25, VN25S)

# Fitting Instructions

## venetian blinds (VN25, VN25S)

### Safety Instructions:

1. Loops in pull cords, chains, tapes and inner cords that operate the product can cause strangulation
2. To avoid strangulation and entanglement, keep cords out of the reach of young children. Cords may become wrapped around a child's neck
3. Move beds, cots and furniture away from window covering cords
4. Do not tie cords together. Make sure cords do not twist and create a loop



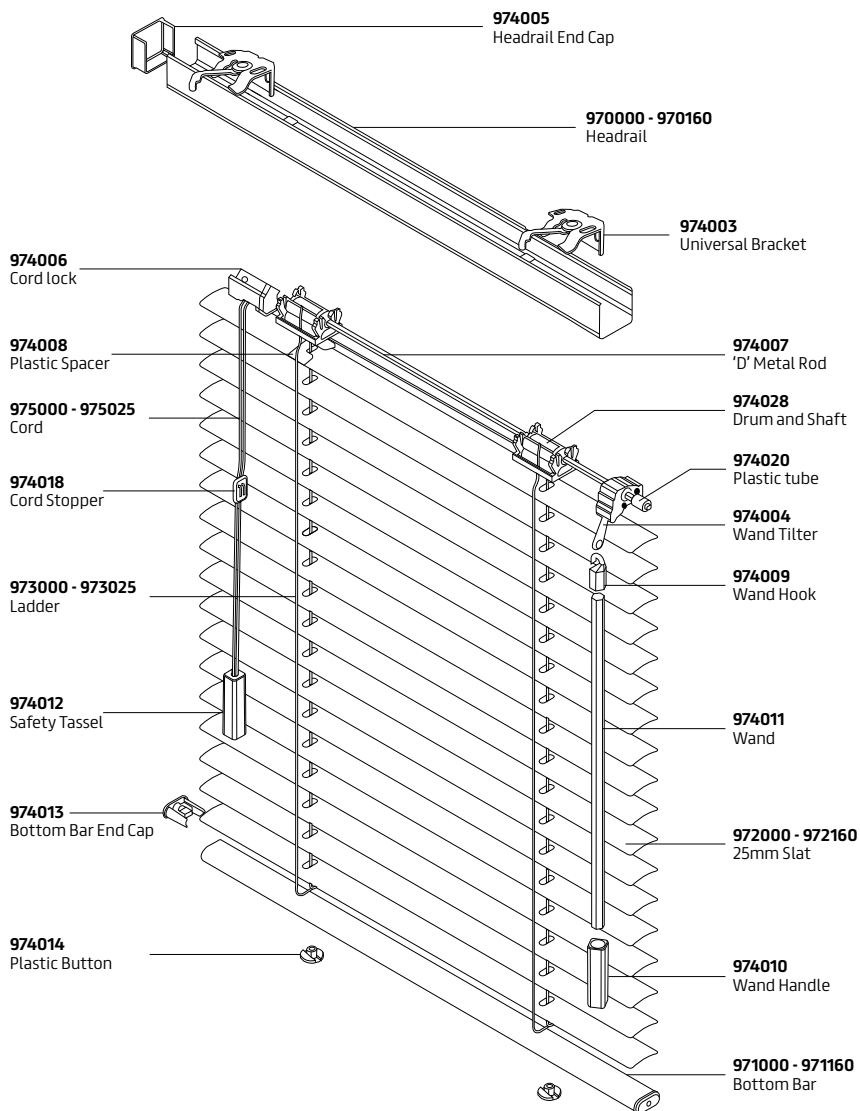
**N.B.**For more information and child safety device fitting instructions, see point 7 on page 7.



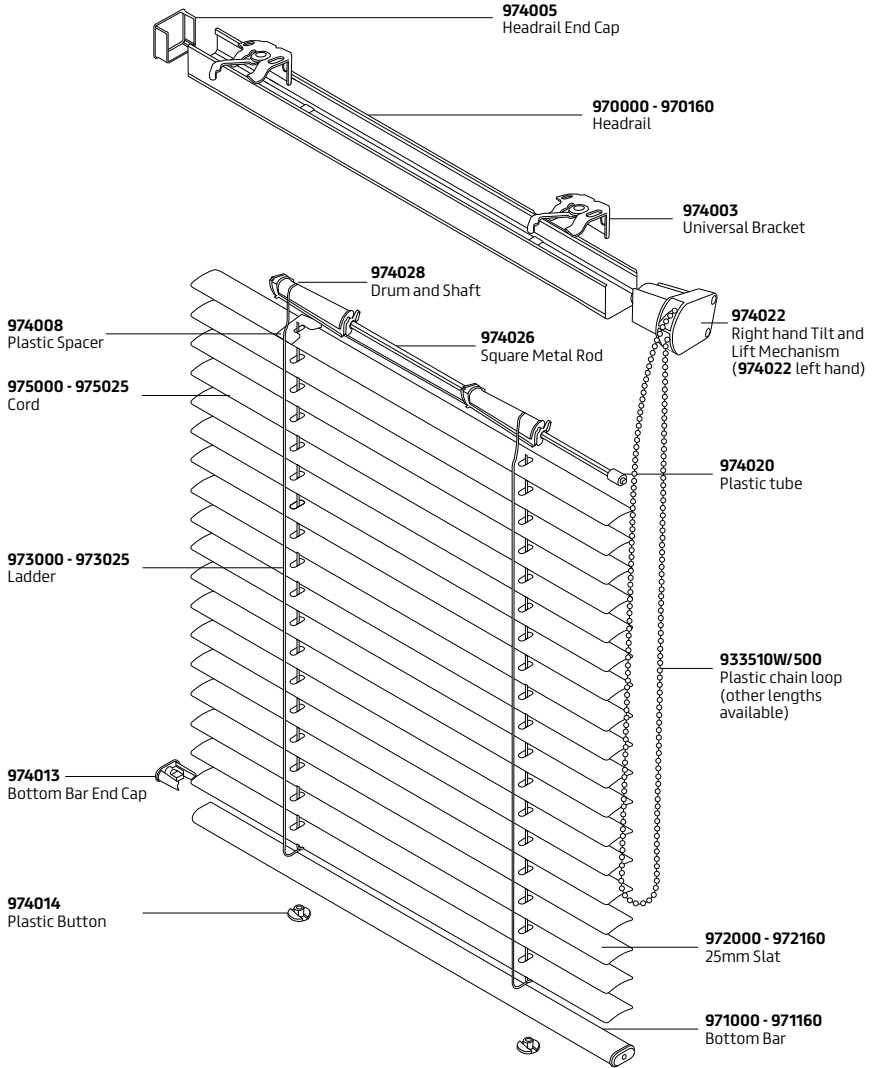
# Fitting Instructions

## venetian blinds (VN25, VN25S)

### VN25 Cord and Wand Control:



# VN25S Mono Control:



# Fitting Instructions

## venetian blinds (VN25, VN25S)

### **VN25 Cord and Wand Control and VN25S Mono Control:**

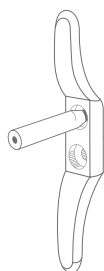
**N.B.** This blind should be installed by a person competent in DIY. If in doubt please consult a professional.

1. Unpack the blind.
2. Check that the blind fits correctly by placing the blind inside the recess of the window or on the face of the window, depending on the position you ordered it for. The headrail shall not be installed at less than 1.5 meters from the floor for child safety reasons.
3. When viewing the internal components of the headrail, mark the appropriate place on the wall/recess to fix the brackets. The brackets supplied are universal (unless requested otherwise) and maybe top or face fixed.
4. Fix the brackets using the appropriate screws and leave brackets in open position. When fitting the brackets, they should be at least 5cm away from the mechanisms.
5. Lifting the blind in place, adjust the brackets to the closed position.
6. If you are fitting the VN25 system, attach the wand to the wand tilter simply by using the hook.

7. Ensure the relevant child safety device is used to comply with BS EN13120:2009+A1:2014, BS EN16433:2014 and BS EN16434:2014 as follows:

### Installing a Cord Cleat

You will have been provided with a cord safety cleat attached to the cord of the VN25. The cleat should be installed as close to the headrail as possible and no less than 1.5 meters from the floor. The cord should be tied around it in full when the blind is not in use.



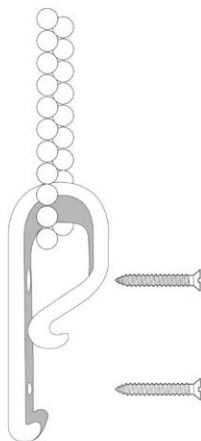
Position the cleat on the wall and mark with a pencil where the screw holes will be.



Drill guide holes where the pencil marks are. Then fix the cleat with screws.



Now tie back any loose ends to keep them out of reach of children.



### Installing a Chain Tidy

The chain tidy will be attached to the VN25 Mono control chain when the blind arrives. The chain tidy should be at a maximum distance from the control mechanism, keeping the chain taut (not under excessive tension however as this could negatively affect the longevity and operation of the blind). Put the retaining device on the wall, mark fixing holes with a pencil, drill the holes and screw the device to the wall with suitable fixings.

8. Check the blind operates correctly.



**Head Office:**

Vale Blinds Direct Ltd  
Devon Park  
Normanton Lane  
Bottesford  
Nottinghamshire  
NG13 0EL

**Call:** 0044 (0)1949 845399

**Email:** [info@valeblinds.com](mailto:info@valeblinds.com)

**Website:** [www.valeblinds.com](http://www.valeblinds.com)

For more information on all products, please call the sales department.