

VALE FRAME SYSTEM

FOR SUN TUNNEL

ENCLOSED

1 X Blind & Frame

1 x Fittings



The timber frame has been constructed with mitred corners and Hoffmann slots.

We suggest that you assemble the frame on a clean flat surface.

Fully insert the Hoffmann keys and PVA glue the frame together making sure that the frame remains square. After 24 hours the frame is ready to be mounted, how this is achieved is down to your individual circumstances.

The fittings provided are for guidance only as you may choose to use your own.

Frame fitting suggested options

Option 1

You can use the mirror plates on each internal corner (see diagram Fig 1) so that a single screw hole is shown on the inside of the frame. (Extra fittings may be required on longer lengths of frames). Once fitted mark and pre drill surface to which the frame is to be mounted and then decide on adequate fittings i.e. Plugs/screws etc.

Option 2

Alternatively you may wish to pre drill through the face of the timber (see diagram fig 2). Once pre drilled mark and pre drill surface to which the frame is to be mounted and then decide on adequate fittings i.e. Plugs/screws etc. You can then install the frame by screwing directly through the timber.

Figure 1

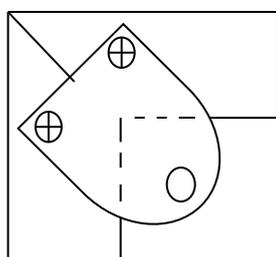
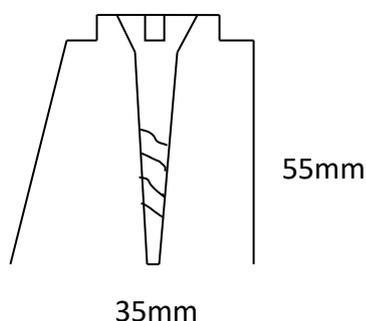


Figure 2



NOTE

It is very important that in both installation methods the frame is kept flat and square otherwise the blind will not work correctly.

Finishing

As a finishing touch, and to stop any slight light leakage, we would recommend using a decorators chalk and gun. This should be applied inside and outside (between the plaster and timber) any excess can then easily removed with a soft damp sponge.

Once the frame is installed and finished to your satisfaction the blind can be fitted to the frame following the fitting instructions enclosed with your blind