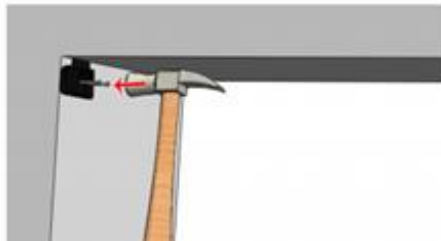


## B Fit the brackets

① Remove tape from guide dog

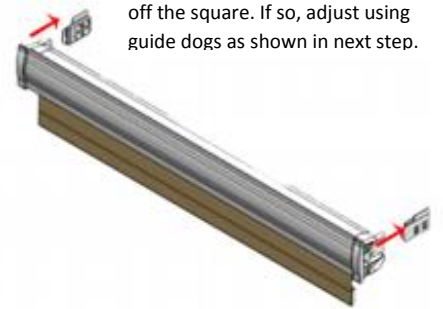


②



Locate guide dog flush to the head of the wall and the recess at the desired location. Push into position, then hammer the masonry pins into position on each side.

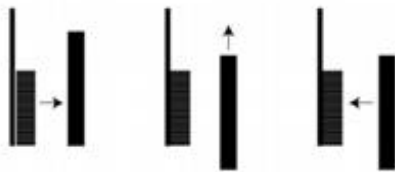
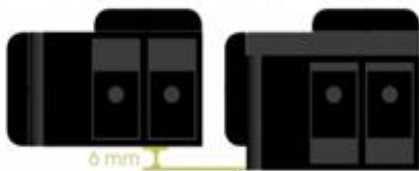
③



Mount cassette onto guide dogs and check level. This is done by lowering the blind to see if running off the square. If so, adjust using guide dogs as shown in next step.

## C Install Blind

① Adjust blocks up and down for levelling if required



A: Remove Block B: Adjust Block C: Replace Block

② Remount cassette onto guide dogs as per step B3.

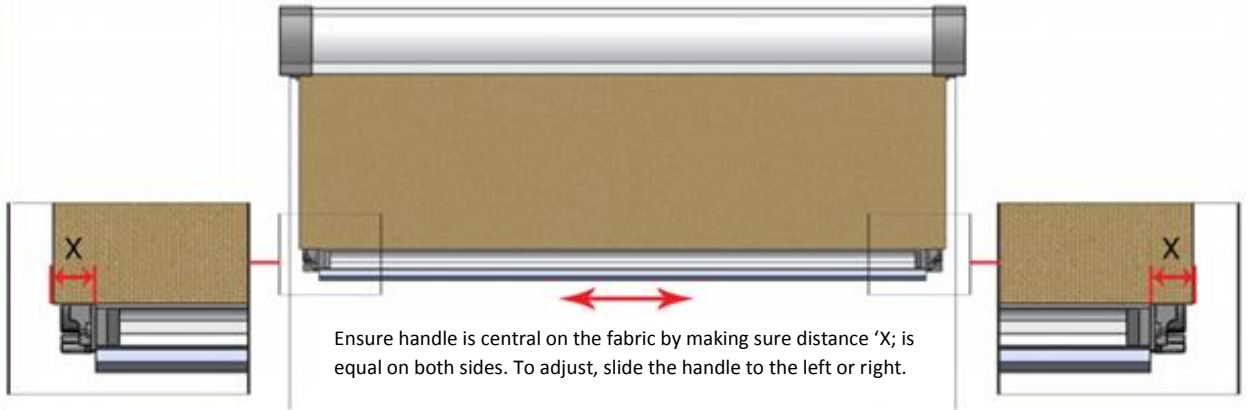
Repeat if required to level-----

Then fix cassette onto guide dogs using screws provided (Left and Right)



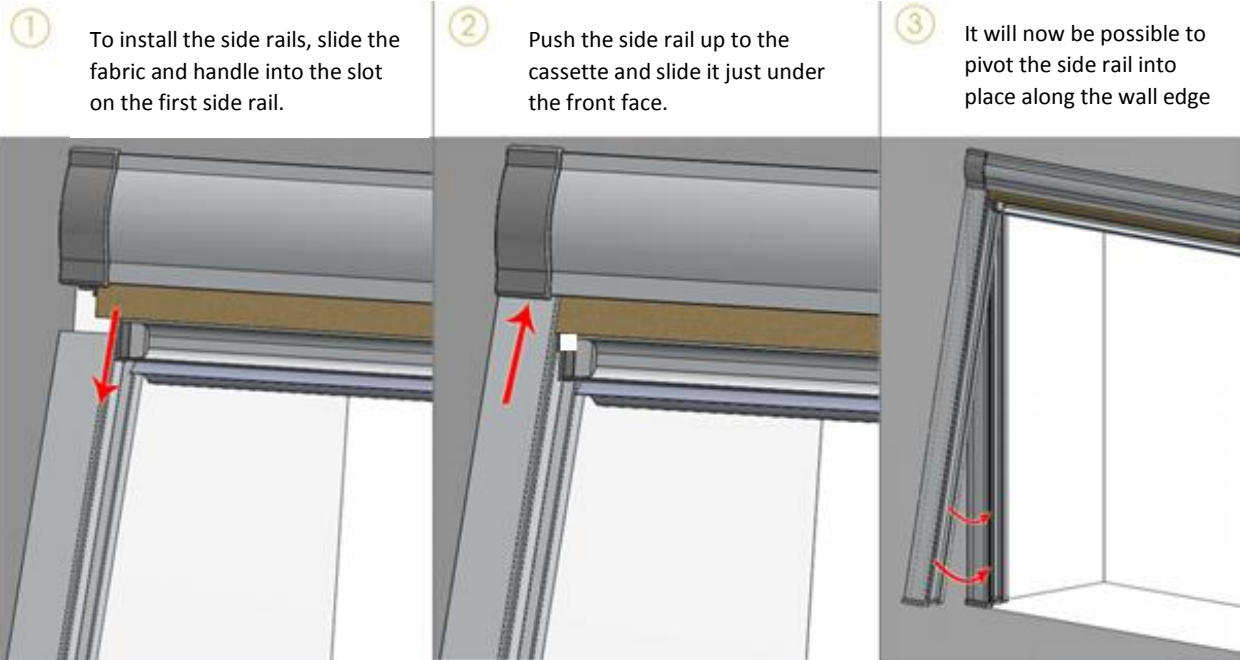
D

Centralise  
Handle



E

Install Siderails (1)



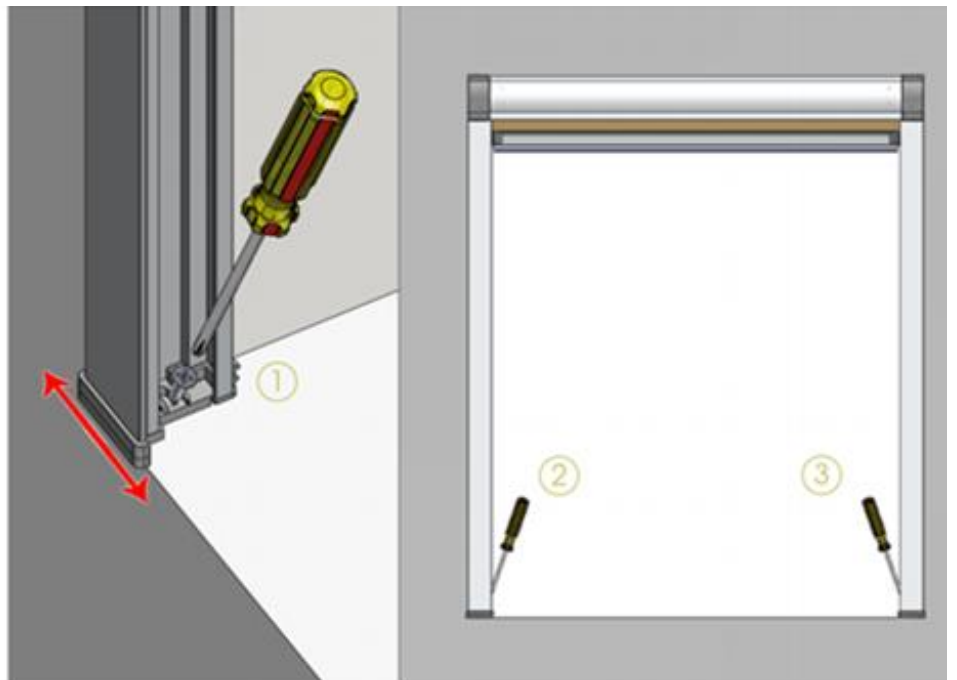
F

Install Siderails (2)

(1) The side rail feet have a slotted hole, to allow adjustability in the direction indicated

(2) Once you are happy with the position of the side rail, fix it in place with one screw into the window.

(3) Repeat the steps in section E and F for the other side rail





## How to Operate

(1) To operate the blind, push the handle in; it will rotate away from the side rails and 'unlock'

(2) This will allow you to slide the blind up or down to the desired position

(3) Once the blind is in the desired position release the handle and the blind will 'lock'

