

## Fitting Instructions

for cassettes blinds  
(C40s)



## Fitting Instructions

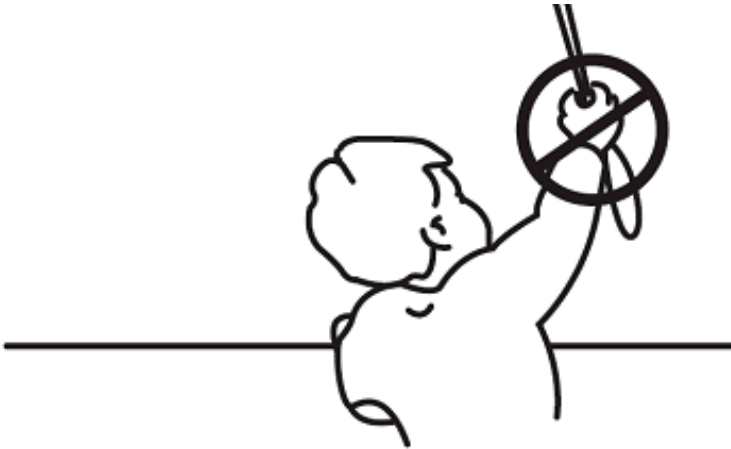
cassette blinds  
(C40s)

# Fitting Instructions

## cassette blinds (C40s)

### Safety Instructions:

1. Loops in pull cords, chains, tapes and inner cords that operate the product can cause strangulation
2. To avoid strangulation and entanglement, keep cords out of the reach of young children. Cords may become wrapped around a child's neck
3. Move beds, cots and furniture away from window covering cords
4. Do not tie cords together. Make sure cords do not twist and create a loop



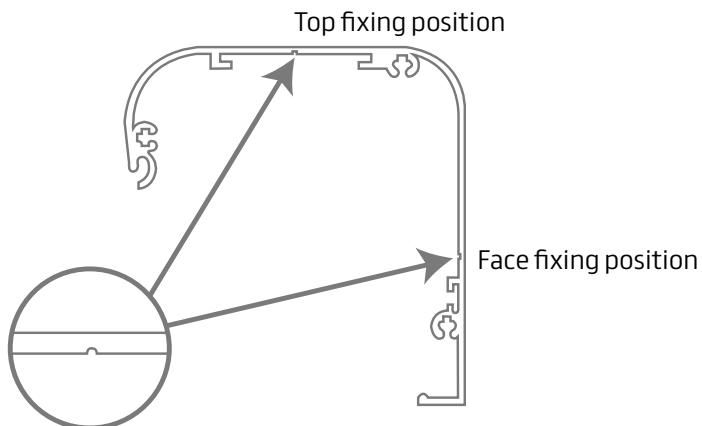
**N.B.** For more information and child safety device fitting instructions, see Point 6 on Page 6, Point 7 on Page 8 and Point 15 on Page 11.

## Casseted blinds with side channels:

**N.B.** This blind should be installed by a person competent in DIY. If in doubt please consult a professional.

Caution should be used when installing in drafty conditions - blinds should not be left down in the situation of open windows.

1. Remove the two safety screws in the underside of the headbox to enable the cover to open (if the blind is a sidewinder, also unscrew the chain guide).
2. Using the indents (see figure below) within the headbox, drill 3.8mm fixing



holes either in the top or back depending on whether it is required to be face or recess fixed. Fixing holes should be equally spaced and no more than 1m apart to ensure head box is fixed completely level.

3. Lift the headbox into place and, if fitting to steel or concrete, mark with a marker where holes need to be drilled so the hole can be plugged. Drill the holes and lift the headbox into place and fix using the appropriate screws. If timber, simply fix the headbox in place using the appropriate screws.

**NB.** To operate correctly, the blind **MUST** be fixed level.

4. Insert the barrel and fabric into the headbox. If the blind is spring controlled, go to point 5. If it is sidewinder controlled, go to point 7. If it is crank controlled, go to point 9. If it is electrically controlled, go to point 10 and refer to the motor instructions for setting limit stops.

# Fitting Instructions

## cassette blinds (C40s)

5. Insert/click the blind on the back bar into the headbox. The spring must be on the right-hand side unless the fabric is reverse rolled.
6. The spring would have been tensioned during manufacturing but the tension can be increased or decreased if required. If the fabric does not wind up completely when the blind is operated, greater spring tension can be applied as follows:
  - a) Remove the blind and the back bar from the headbox.
  - b) Use a flat head screwdriver through the hole in the bracket at the spring end to either increase or decrease the tension as desired.
  - c) Insert the barrel and fabric back into the headbox.
  - d) Attach the pull cord onto the bottom bar.
7. Fix the chain guide into position by threading the chain through the chain guide making sure the chain is not twisted.
8. Re-attach the chain guide using the screws provided.
9. Insert the barrel and fabric into the headbox.
10. Drill an exit hole for the electric cable and insert the fabric and barrel into the headbox, making sure the supply cable is carefully threaded through.
11. For motor programming instructions, please refer to the enclosed leaflet.

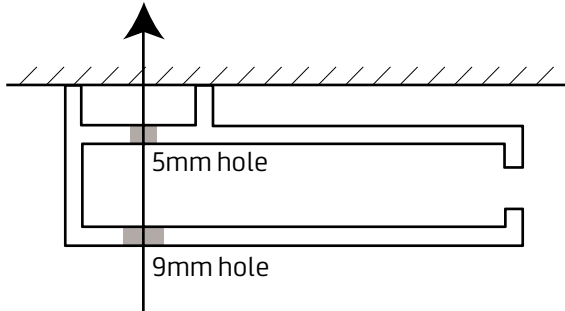
## Instructions for Standard Face Fix Side Channels:

**N.B.** This blind should be installed by a person competent in DIY. If in doubt please consult a professional.

It is important that the blind is in the headbox with the blind fully retracted when the side channels are being installed.

1. Fix the side channels into the end cheeks with lugs using the supplied 3/16" screws to secure the headboxes to the side channels through the lugs. To fix the side channel to the headbox endplate lug, drill a 2mm hole through the outside of the channel. Fix the bottom angle making sure it is in directly in line with the headbox.
2. The face-fixing side channel must be fixed by drilling 5mm fixing holes at maximum 1000mm centres, with 9.5mm access holes in the front as shown below:

**N.B** Side channels must be fixed square. Check by measuring diagonals.

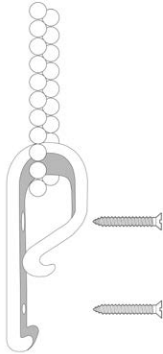


3. Run the blind up and down and close access holes with grommets supplied when you're confident that the blind operates correctly.
4. Attach the cover onto the headbox by inserting the cover into the headbox groove. Swing to the closed position and apply and upward pressure to click the cover into its home position.
5. Fix the cover using the two safety screws provided.

# Fitting Instructions

## casseted blinds (C40s)

6. Ensure the relevant child safety device is used to comply with BS EN13120:2009+A1:2014, BS EN16433:2014 and BS EN16434:2014 as follows:  
\*You will have been provided with either a chain tidy or easy break chain connector (also see page 8 & 11)

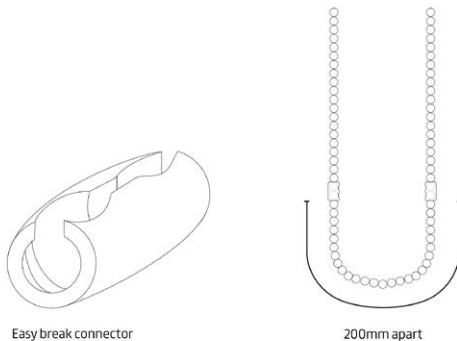


### Chain Tidy

The chain tidy will be attached to the chain when the blind arrives. The chain tidy should be at a maximum distance from the control mechanism, keeping the chain taut (not under excessive tension however as this could negatively affect the longevity and operation of the blind). Put the retaining device on the wall, mark fixing holes with a pencil, drill the holes and screw the device to the wall with suitable fixings.

### Easy Break Chain Connectors

Two easy break chain connectors are connected to the operating chain 200mm apart. This ensures that at least one of them will be in the vertical position ensuring they perform as required. If excessive weight is applied within the loop a connector will come apart. If a connector comes apart and is undamaged then it will need to be re-connected by inserting the last ball on the end of the chain into the hole in the connector and pushed into place.

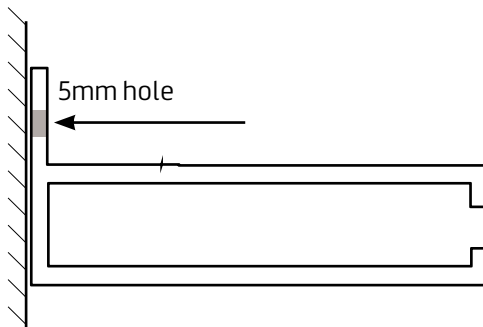


## Instructions for Standard Recess Fix Side Channels:

N.B This blind should be installed by a person competent in DIY. If in doubt please consult a professional.

It is important that the blind is in the headbox with the blind fully retracted when the side channels are being installed.

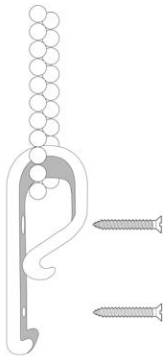
1. Fix the bottom angle (if required) making sure it is directly in line with the headbox.
  2. Fix the side channels into the end cheeks with lugs using the supplied 3/16" screws to secure the headboxes to the side channels through the lugs. To fix the side channel to the headbox endplate lug, drill a 2mm hole through the outside of the channel.
  3. The recess-fixing side channel must be fixed by drilling 5mm fixing holes at maximum 1000mm centre.
  4. Run the blind up and down until you're confident the blind operates correctly.
  5. Attach the cover onto the headbox by inserting the cover into the headbox groove. Swing to the closed position and apply an upward pressure to click the cover into its home position.
  6. Fix the cover using the two safety screws previously removed.
- N.B Side channels must be fixed square. Check by measuring diagonals.
7. If the blind is spring operated, attach the knot holder to the bottom bar (along with pull cord and acorn). Attach the cleat to the cill to hold the blind in the 'Down' position.



# Fitting Instructions

## casseted blinds (C40s)

8. Ensure the relevant child safety device is used to comply with BS EN13120:2009+A1:2014, BS EN16433:2014 and BS EN16434:2014 as follows:  
\*You will have been provided with either a chain tidy or easy break chain connector (also see page 8 & 11)

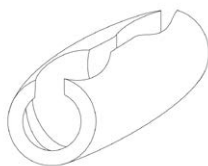


### Chain Tidy

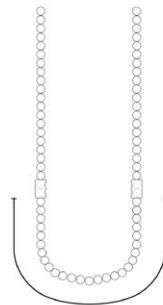
The chain tidy will be attached to the chain when the blind arrives. The chain tidy should be at a maximum distance from the control mechanism, keeping the chain taut (not under excessive tension however as this could negatively affect the longevity and operation of the blind). Put the retaining device on the wall, mark fixing holes with a pencil, drill the holes and screw the device to the wall with suitable fixings.

### Easy Break Chain Connectors

Two easy break chain connectors are connected to the operating chain 200mm apart. This ensures that at least one of them will be in the vertical position ensuring they perform as required. If excessive weight is applied within the loop a connector will come apart. If a connector comes apart and is undamaged then it will need to be re-connected by inserting the last ball on the end of the chain into the hole in the connector and pushed into place



Easy break connector



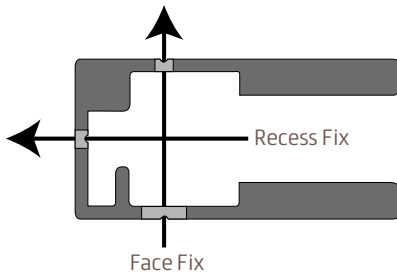
200mm apart



## Instructions for Tracker Side Channels:

**N.B.** This blind should be installed by a person competent in DIY. If in doubt please consult a professional.

1. Ensure that the blind is in the headbox and that it is fully retracted before the side channels are installed.
2. Fix the bottom angle (if required) making sure it is directly in line with the back and end of the headbox.
3. Fix the side channels into the end cheeks with lugs using the supplied 3/16" screws to secure the headboxes to the side channels through the lugs. To fix the side channel to the headbox endplate lug, drill a 2mm hole through the outside of the channel.



4. Using the indent provided, fit the side channel by drilling 5mm fixing holes at maximum 1000mm centres, with 9.5mm access holes in the front as shown in the diagram.

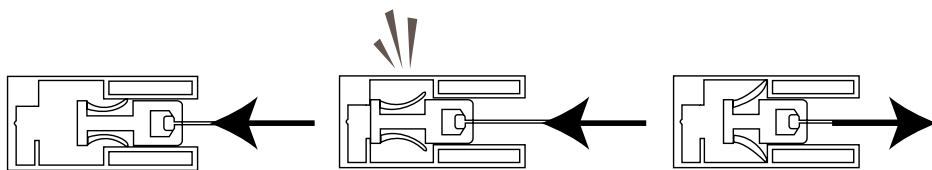
5. Ensure the back of the side channel lines up directly with the back of the headbox and not fitted past it. Make sure that the side of the side channels extend no further than the side of the headbox or causes an overhang of the headbox. The side channel and headbox back and side must be absolutely flush with each other. If it is fitted out-of-line the blind will not lower easily due to the fabric being stretched too far. Please see images below for further guidance.



# Fitting Instructions

## cassette blinds (C40s)

6. Use packers if necessary to ensure the sidechannels remain lined up correctly and level all the way down.
7. Check that the side channels are fixed square by measuring diagonals.
8. Feed the PVC insert up into the side channel (with the fluted end towards the headbox) making sure the zip locates within the insert.



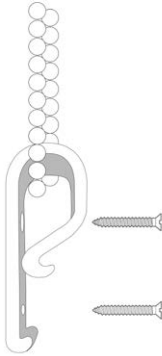
9. Insert the PVC insert removal tool (sold separately) into the PVC insert (approx. 20mm from the bottom).
10. Run the blind up and down making sure the blind operates correctly. When the blind is in a closed position, check the distance from the edge of the zip to the inside of the cheek, both sides need to be equal. Centralise as required by sliding the barrel sleeve across. If more or less tension is required on the fabric, follow the process below. If tension is correct, go to point 13.
11. Twist insert the tool by 90 degrees and pull the PVC insert out of the side channel being careful not to disturb any fixings. When the PVC fins are visible, simply remove the insert from the side channel using your hand.

PVC insert removal tool: Part Number 930006.



12. Undo the fixings and refit where required and repeat process 7 - 9.
13. Close access holes with the grommets supplied when you're confident blind operates correctly.
14. Attach the cover onto the headbox by inserting the cover into the headbox groove. Swing to the closed position and apply an upward pressure to click the cover into its home position.
15. Fix cover using the two safety screws previously removed.

16. Ensure the relevant child safety device is used to comply with BS EN13120:2009+A1:2014, BS EN16433:2014 and BS EN16434:2014 as follows:  
\*You will have been provided with either a chain tidy or easy break chain connector (also see page 8 & 11)



### Chain Tidy

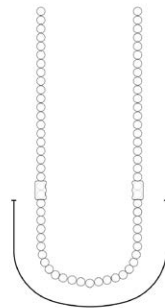
The chain tidy will be attached to the chain when the blind arrives. The chain tidy should be at a maximum distance from the control mechanism, keeping the chain taut (not under excessive tension however as this could negatively affect the longevity and operation of the blind). Put the retaining device on the wall, mark fixing holes with a pencil, drill the holes and screw the device to the wall with suitable fixings.

### Easy Break Chain Connectors

Two easy break chain connectors are connected to the operating chain 200mm apart. This ensures that at least one of them will be in the vertical position ensuring they perform as required. If excessive weight is applied within the loop a connector will come apart. If a connector comes apart and is undamaged then it will need to be re-connected by inserting the last ball on the end of the chain into the hole in the connector and pushed into place



Easy break connector



200mm apart



**Head Office:**

Vale Blinds Direct Ltd  
Devon Park  
Normanton Lane  
Bottesford  
Nottinghamshire  
NG13 0EL

**Call:** 0044 (0)1949 845399

**Email:** [info@valeblinds.com](mailto:info@valeblinds.com)

**Website:** [www.valeblinds.com](http://www.valeblinds.com)

For more information on all products, please call the sales department.