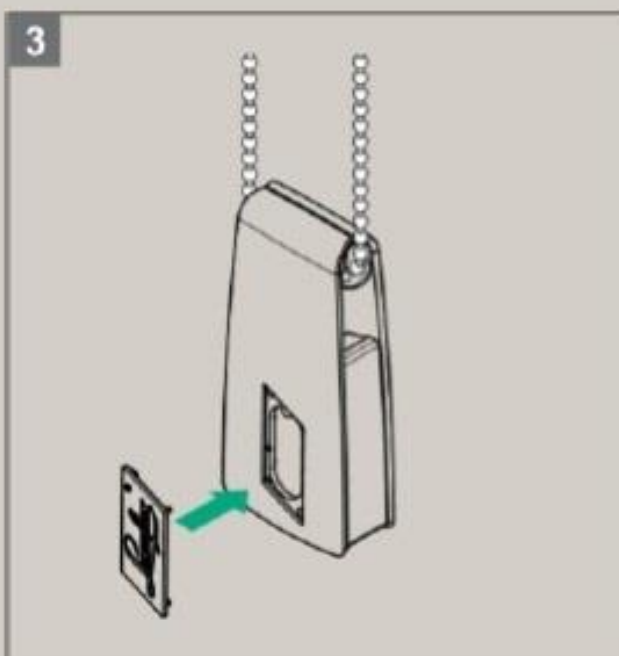
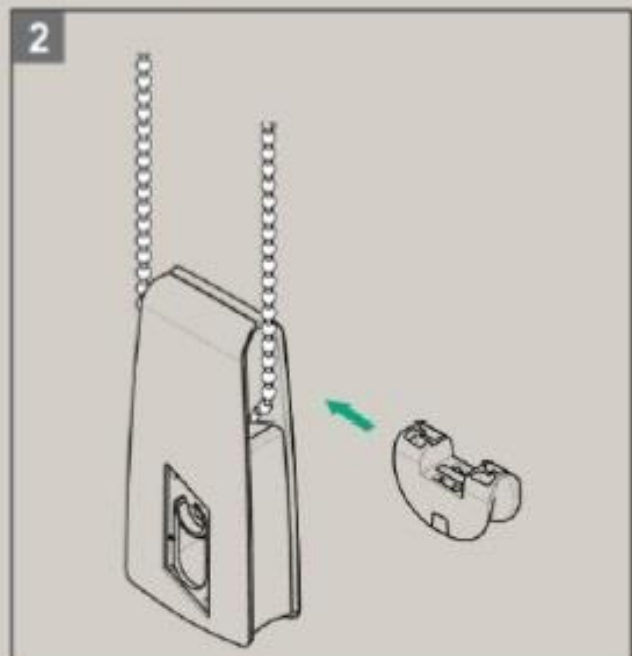
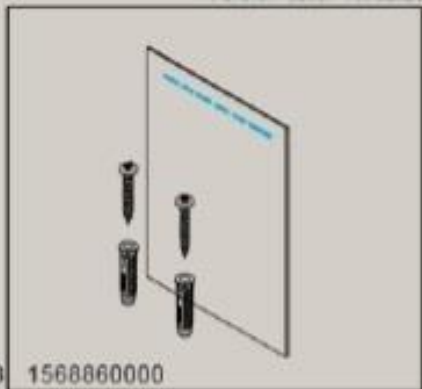
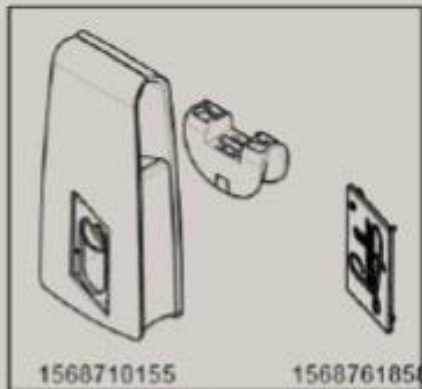
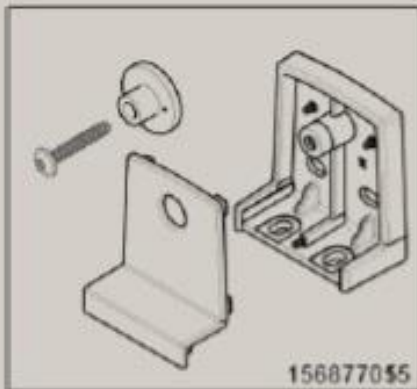


# assembly instruction chain tensioner

version date: 16.02.20



**step 1:** pull to open the shells apart and insert the chain.

**step 2:** insert the chain guide, pull on the chain to click the chainguide into place.

**step 3:** add the Luxaflex logo plate on one of the sides.

**note:**

Installation set 1568860000 must be fixed on the chain.

Bracket set 1568770155 must be added to the packaging.