

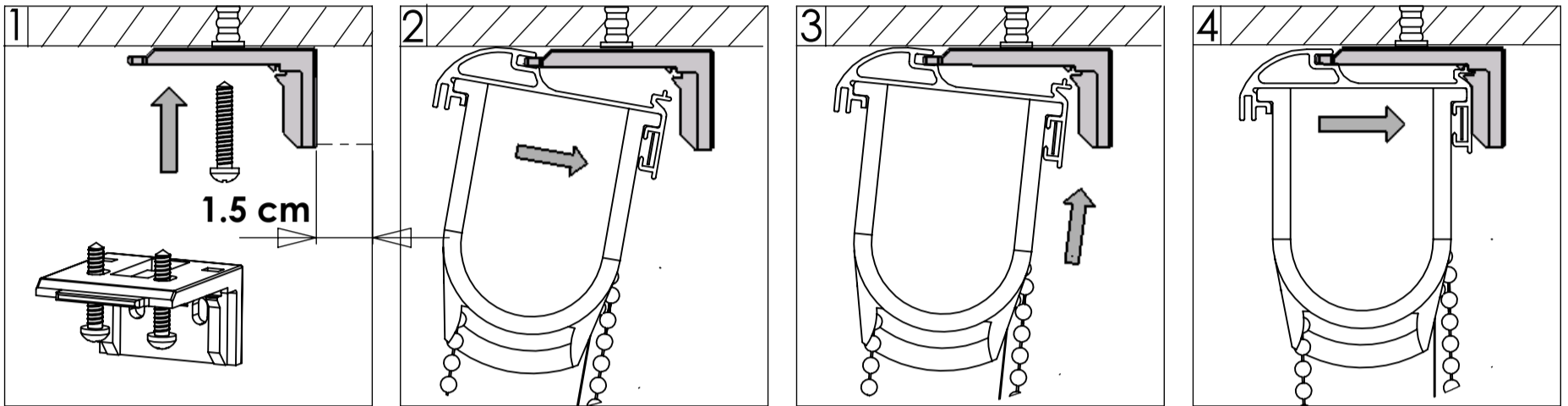
# FITTING INSTRUCTION

## SUNSTRIP

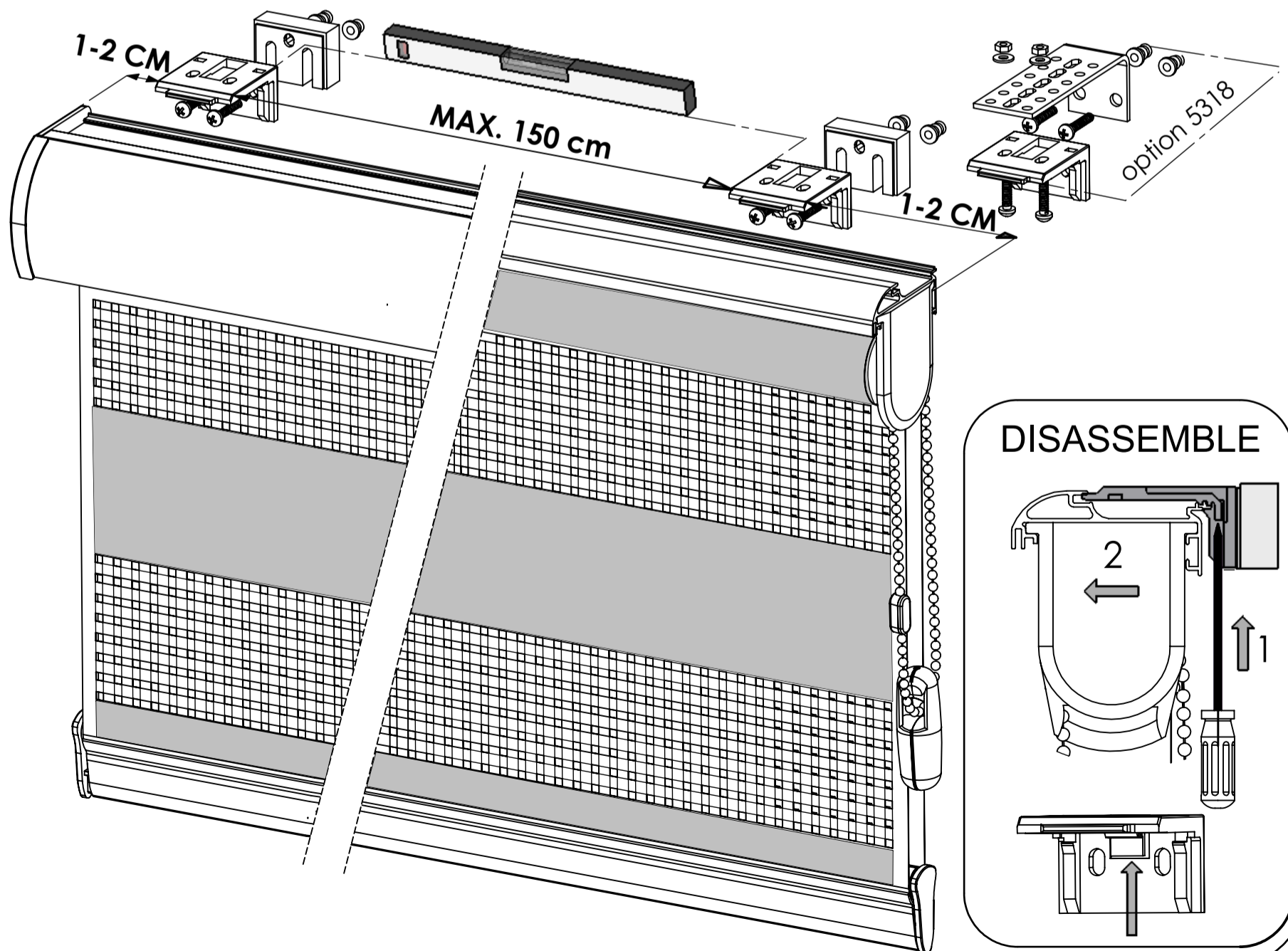
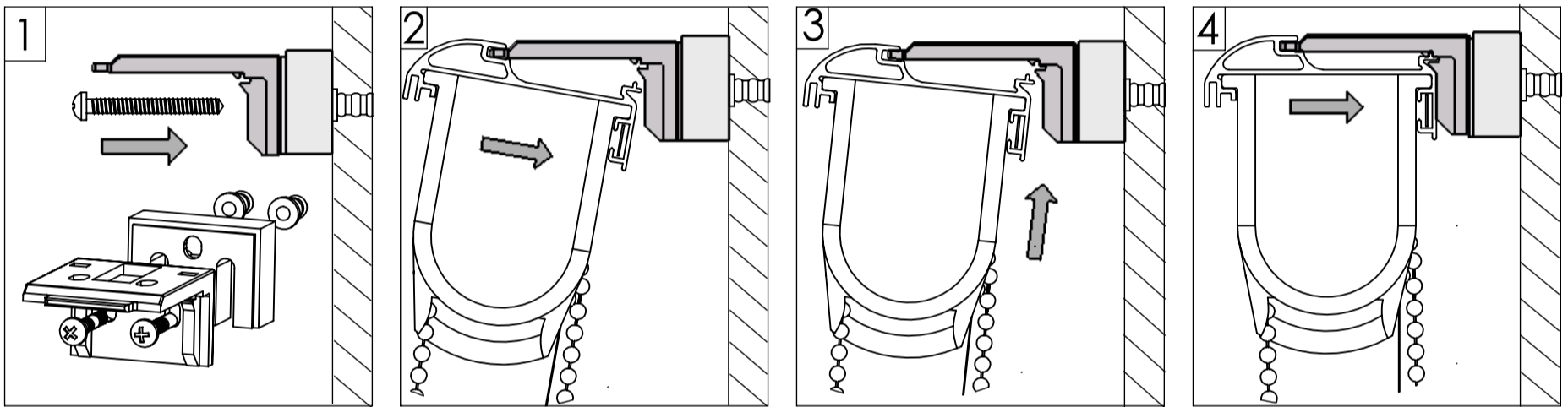
### V57/V60/V61/V71

PRODUCT LINE
5002
5003
5004
5007

#### CEILING INSTALLATION



#### WALL INSTALLATION



#### DISASSEMBLE

