

3.1 Measure methods

EOS TruFit™ Stick&Click is an innovative adhesive installation option which does not require drilling and is mounted directly onto the glass. The EOS TruFit™ Stick&Click installation option is suitable for all window frame materials as PVC, aluminium and wood. EOS TruFit™ Stick&Click installation option is only available for two tensioned models with handle operation the BB24- and BB32-model.



Measure correctly

To measure correctly the Plissé and Duette® Shades expert centre have categorised the most common window frames shapes into two categories (window frames with square and non-square window beadings). The category '**non-square window beading**' is split into two methods (method A and B). The category '**square window beading**' is split into three methods (method A, B and C). For each method named above we have made explanation drawings which shows how to measure. Also included in this chapter are example drawings of the most common window beadings and how they look like when the EOS TruFit™ Stick&Click c-profile is mounted on.

Non-square window beading

- ◆ **Method A** is for non-square window beadings with a putty seal or rubber seal **smaller or equal to ≤ 5 mm**.
- ◆ **Method B** is for non-square window beadings with a putty seal or rubber seal **wider than > 5 mm** and a **depth smaller or equal to ≤ 5 mm**.

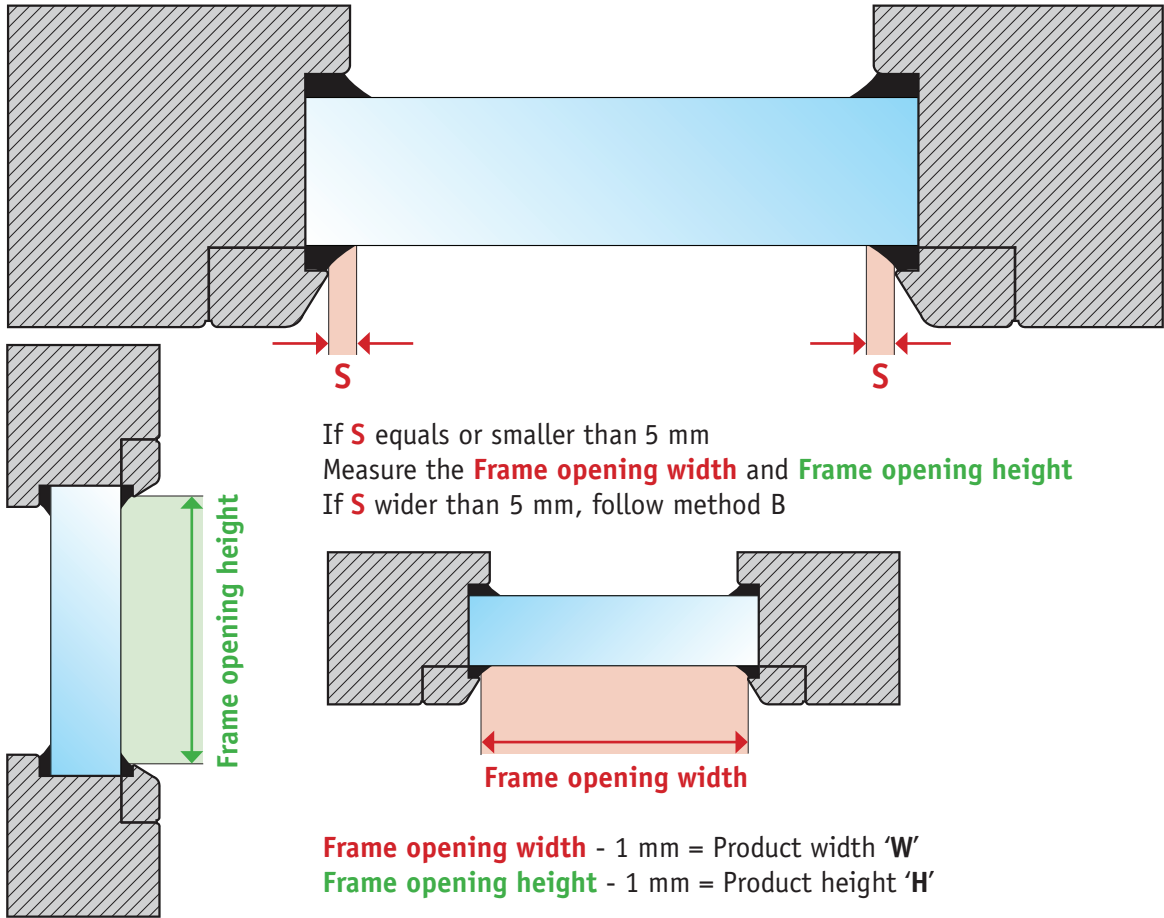
Square window beading

- ◆ **Method A** is for square window beadings with a putty seal or rubber seal **smaller or equal to ≤ 5 mm**.
- ◆ **Method B** is for square window beadings with a putty seal or rubber seal **wider than > 5 mm** and a **depth smaller or equal to ≤ 5 mm**.
- ◆ **Method C** is for square window beadings with a putty seal or rubber seal **wider than > 5 mm** and a **depth larger than > 5 mm**.

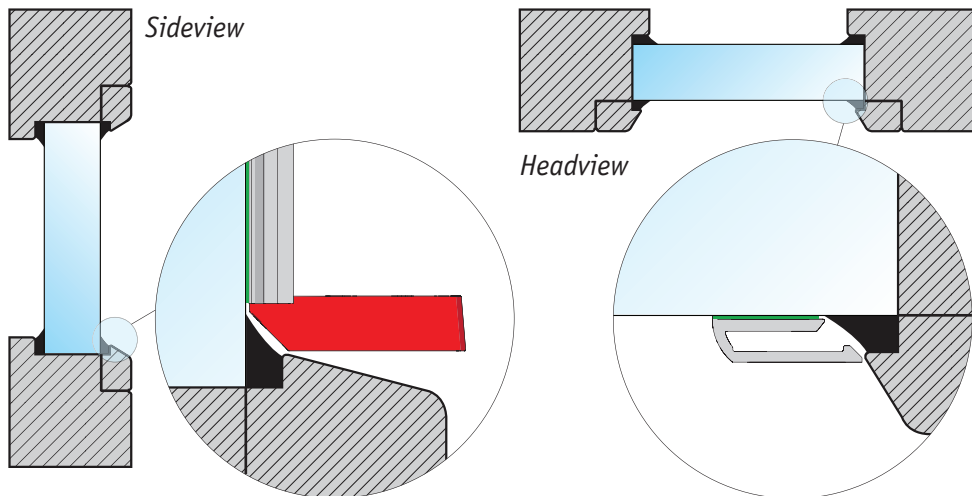
Measure on all sides; **width** => top and bottom; **height** => left and right to determine smallest sizes.

3.2 Non-Square window beading

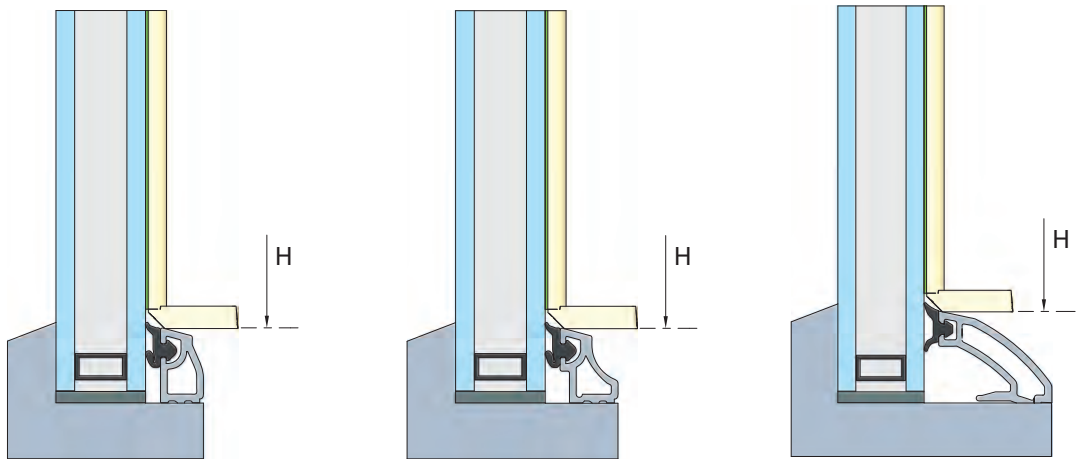
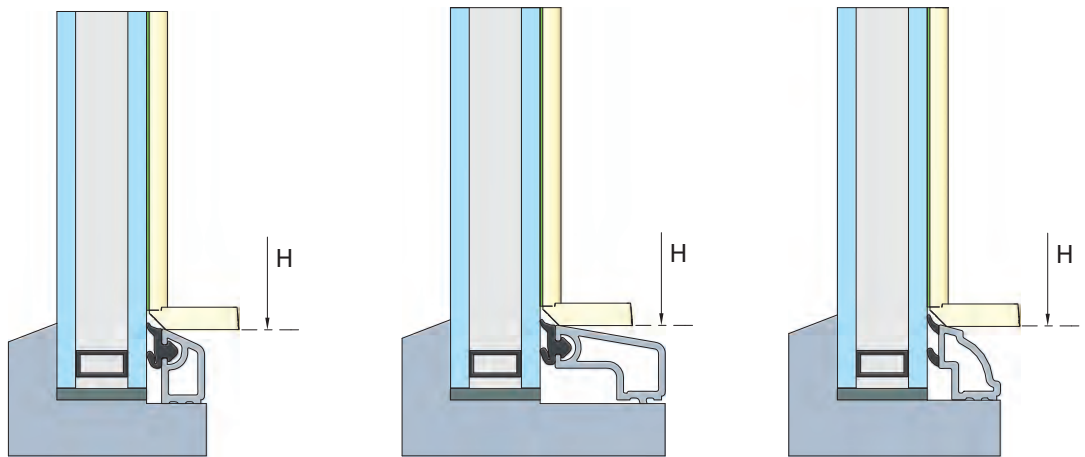
3.2.1 Measure Method A - Non-Square 'Small Seal'



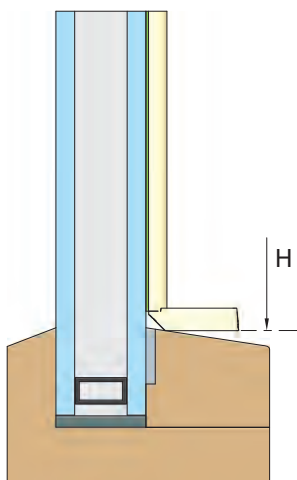
Example; mounted profile onto glass



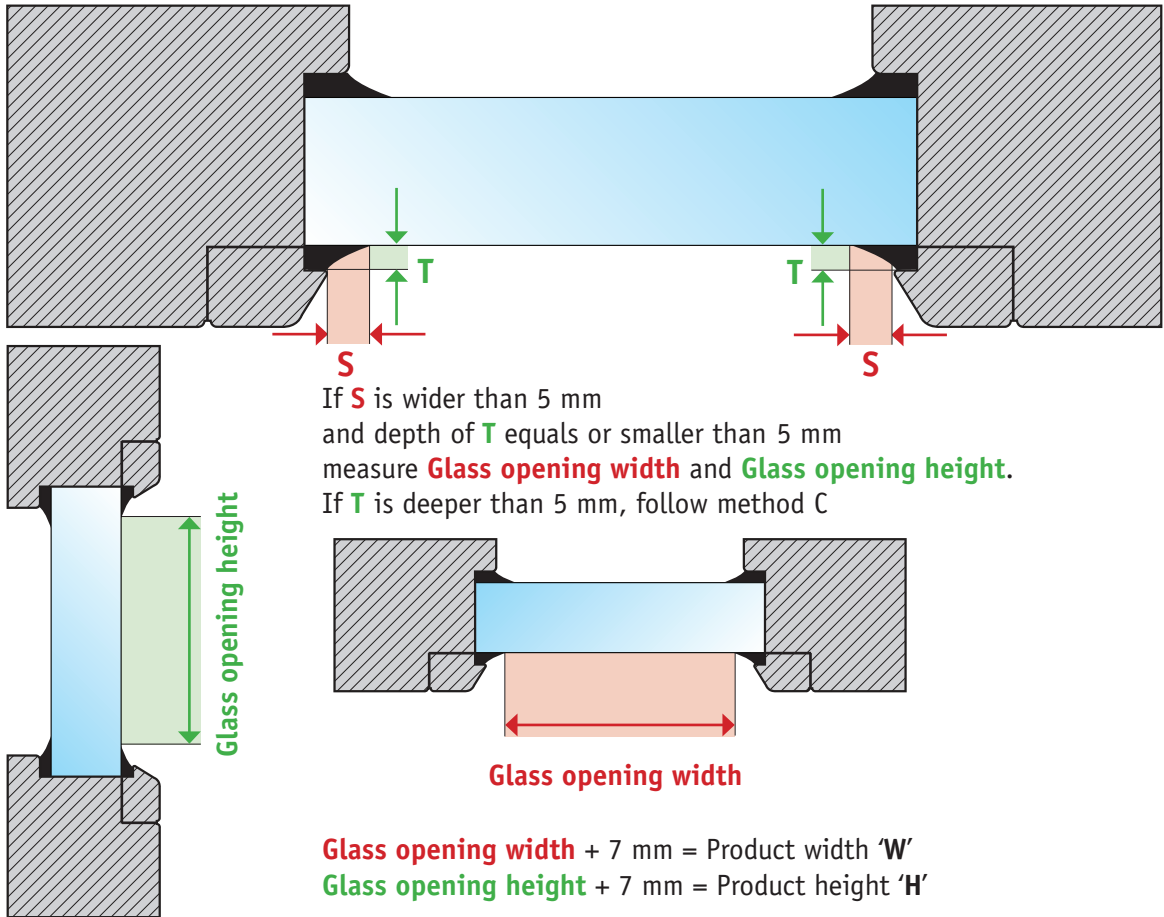
3.2.1.1 Example PVC Beadings Method A Non-Square 'Small Seal'



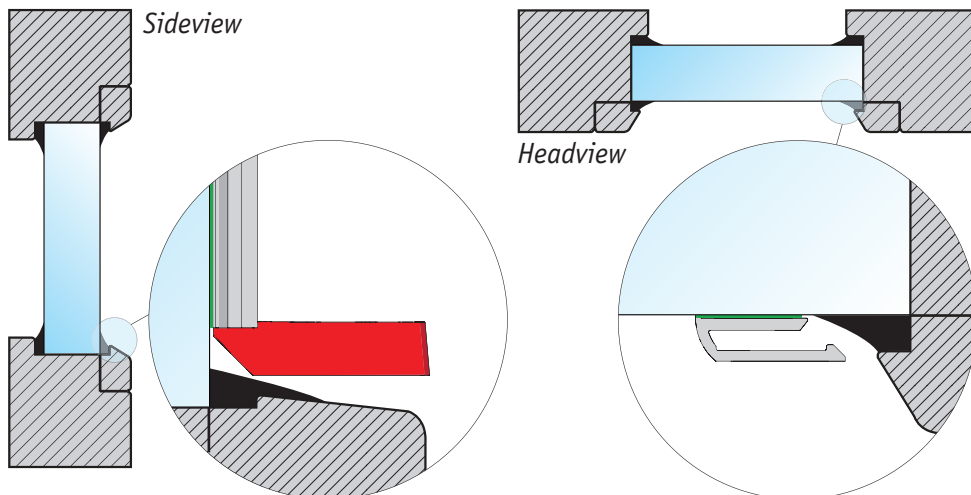
3.2.1.2 Example Wood Beading Method A Non-Square 'Small Seal'



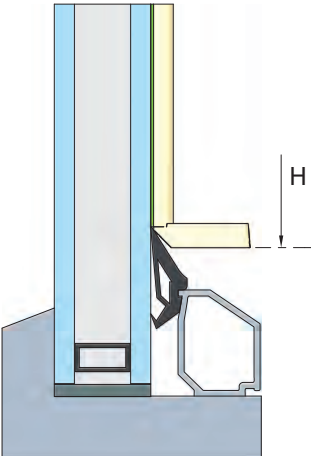
3.2.2 Measure Method B - Non-Square 'Wide Seal'



Example; mounted c-profile onto glass

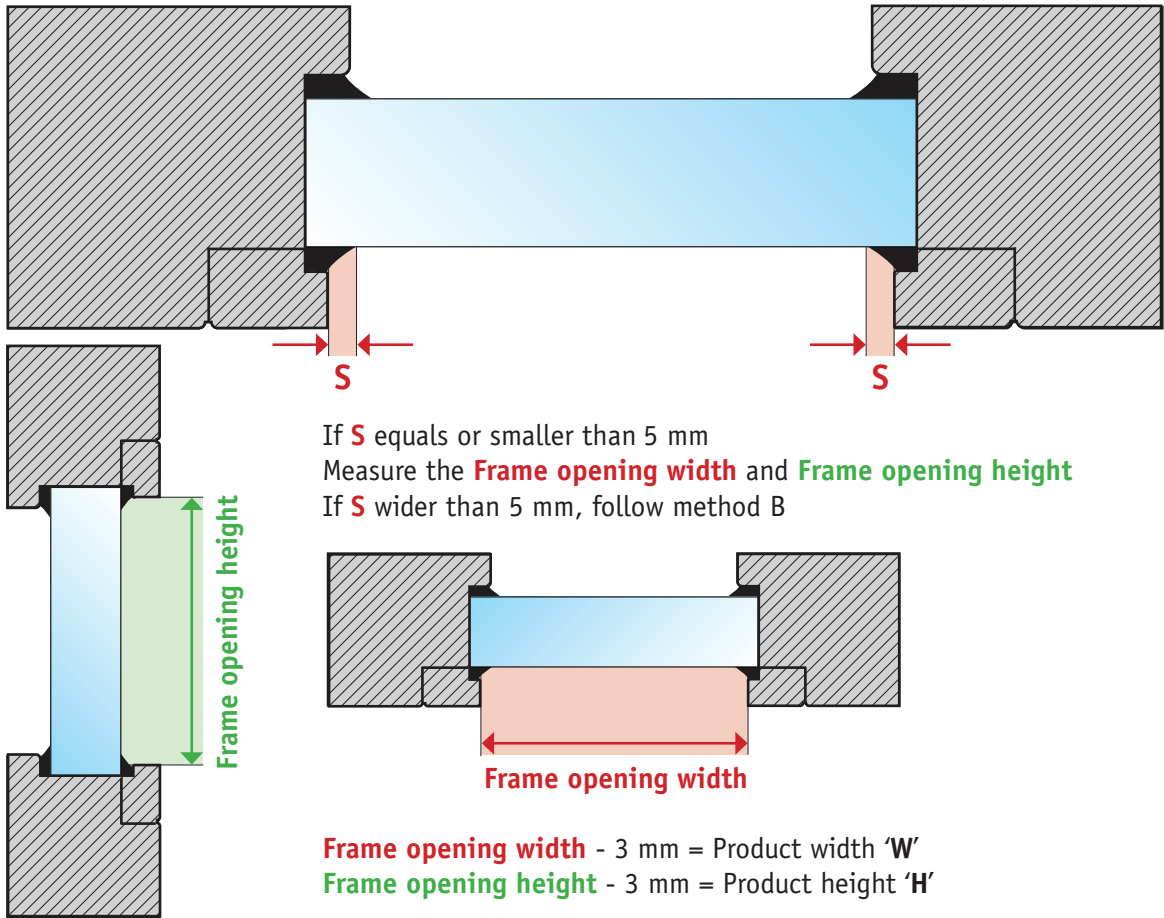


3.2.2.1 Example Aluminium Beading Method B Non-Square 'Wide Seal'

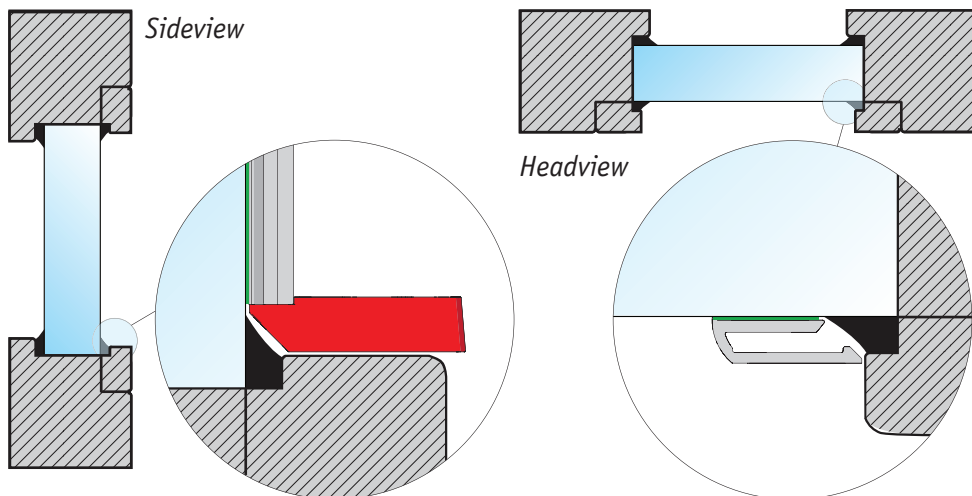


3.3 Square window beading

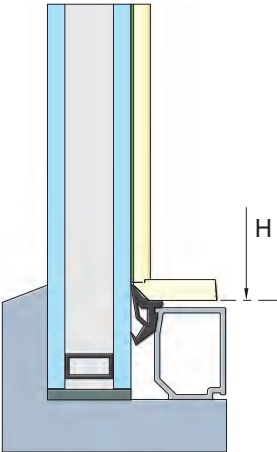
3.3.1 Measure Method A - Square 'Small Seal'



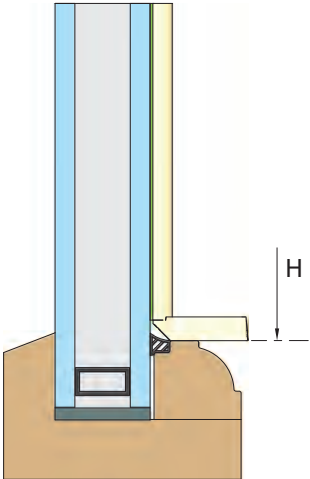
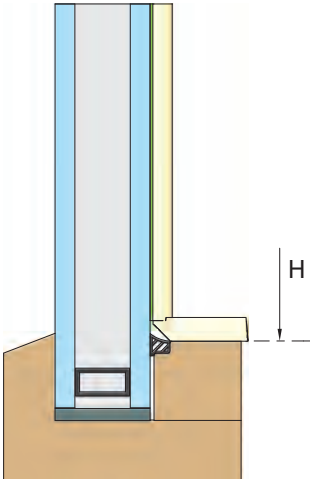
Example; mounted profile onto glass



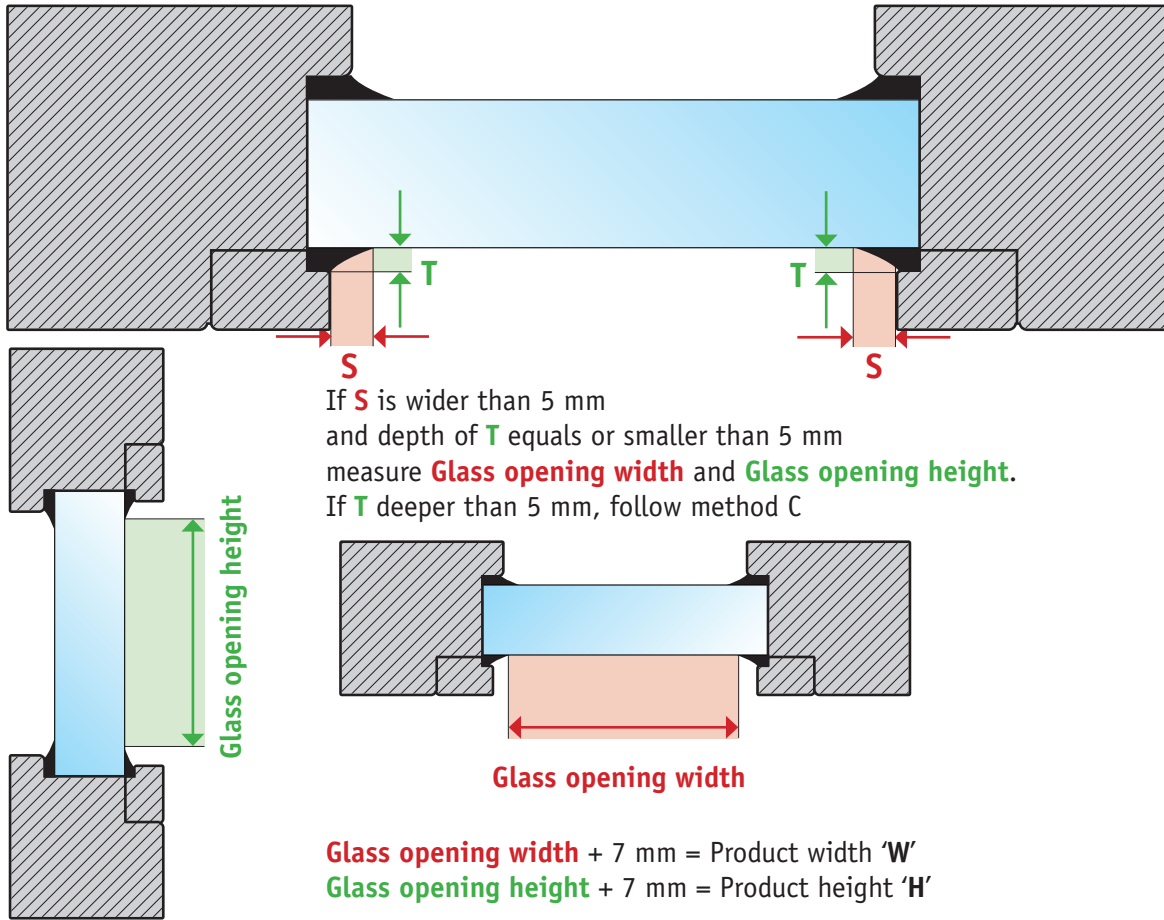
3.3.1.1 Example Aluminium Beading Method A Square 'Small Seal'



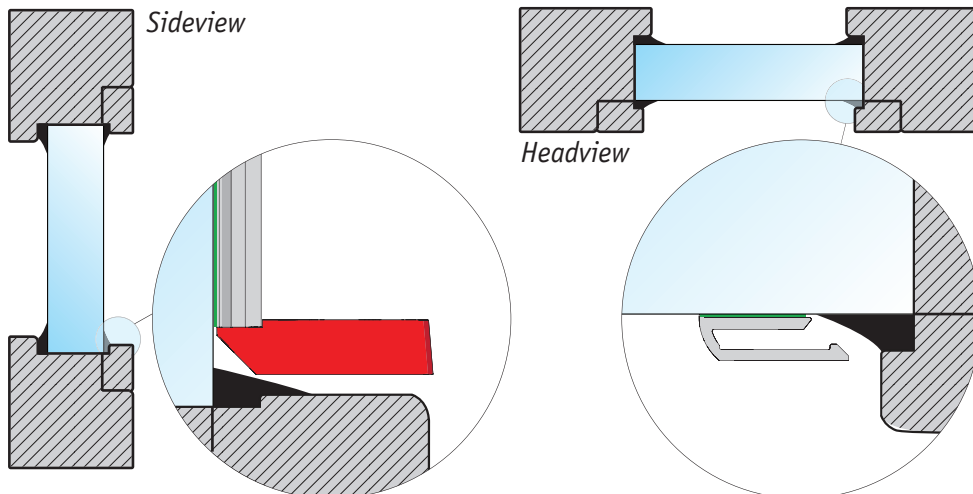
3.3.1.2 Example Wood Beading Method A Square 'Small Seal'



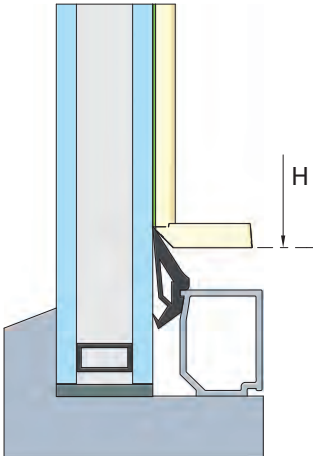
3.3.2 Measure Method B - Square 'Wide Seal'



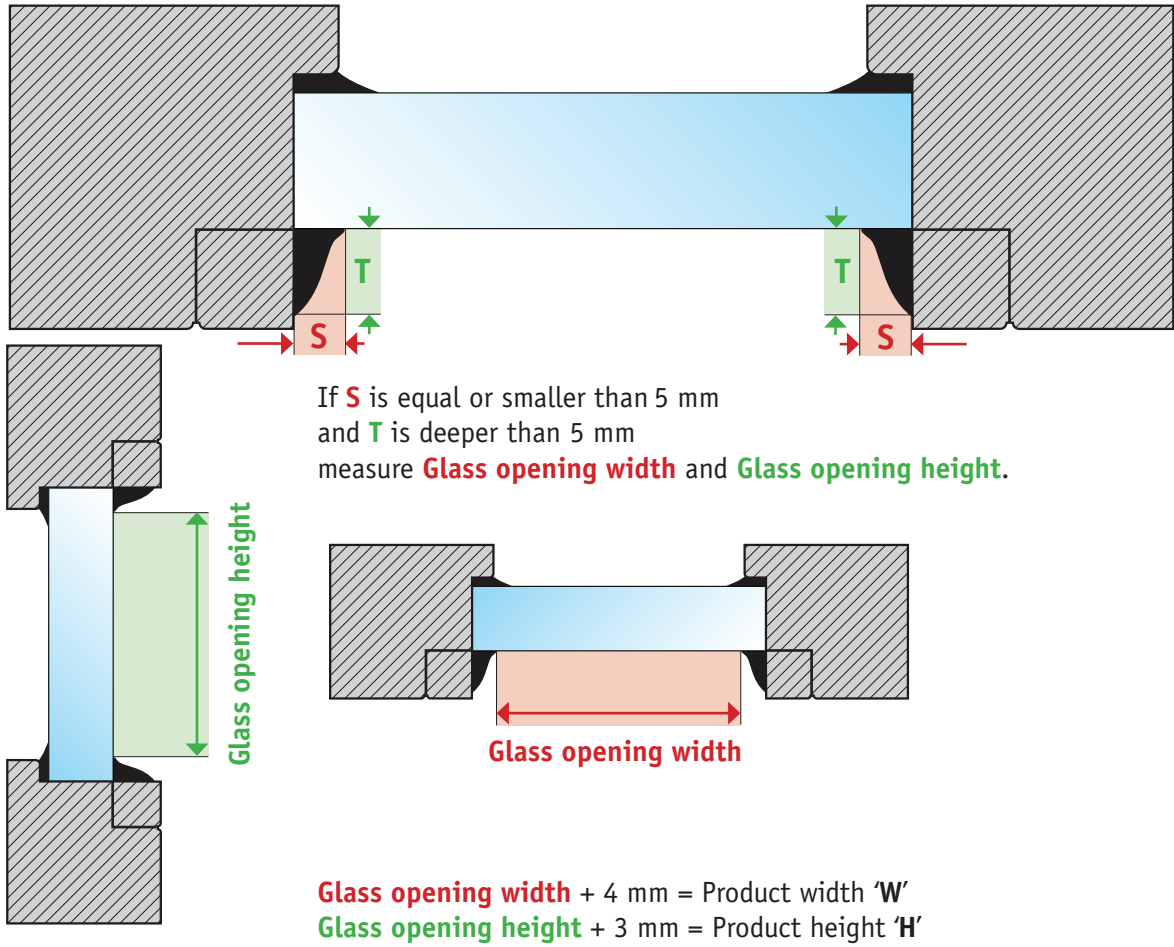
Example; mounted c-profile onto glass



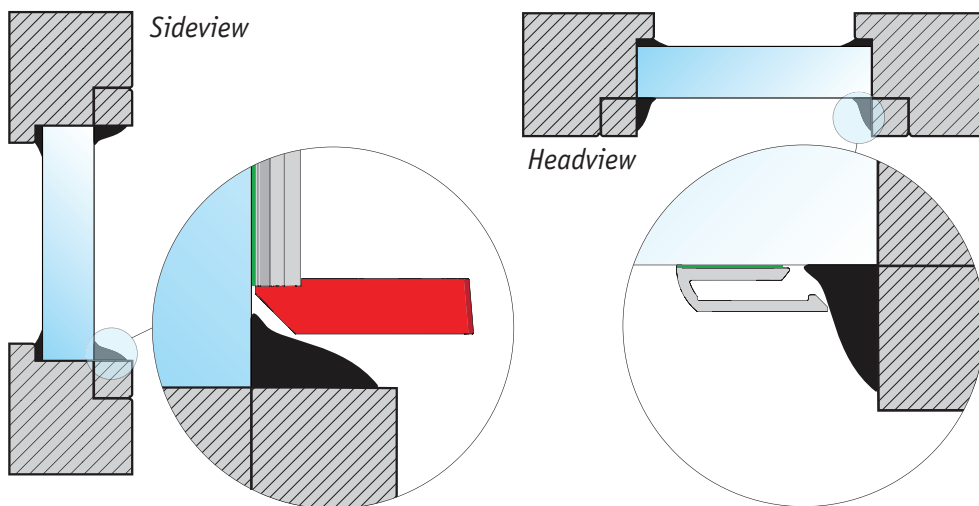
3.3.2.1 Example Aluminium Beading Method B Square 'Wide Seal'



3.3.3 Measure Method C - Square 'Deep Seal'



Example; mounted c-profile onto glass



3.3.3.1 Example Aluminium Beadings Method C Square 'Deep Seal'

