

# Duette® LightLock™



Available with all 25mm & 32mm Duette® Shades.

Only available with EOS & EOS XL hardware.






Profile available in all 6 hardware colours.

L shaped profile supplied predrilled.

End caps are extendable by 3mm, for an exact fit in the height.

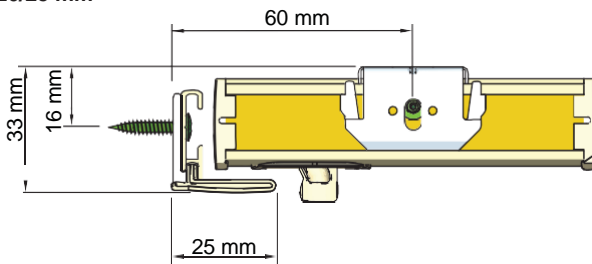
Anti-reflective black interior to significantly reduce incident light.

Recess sizes only – Frame to be installed inside recess.

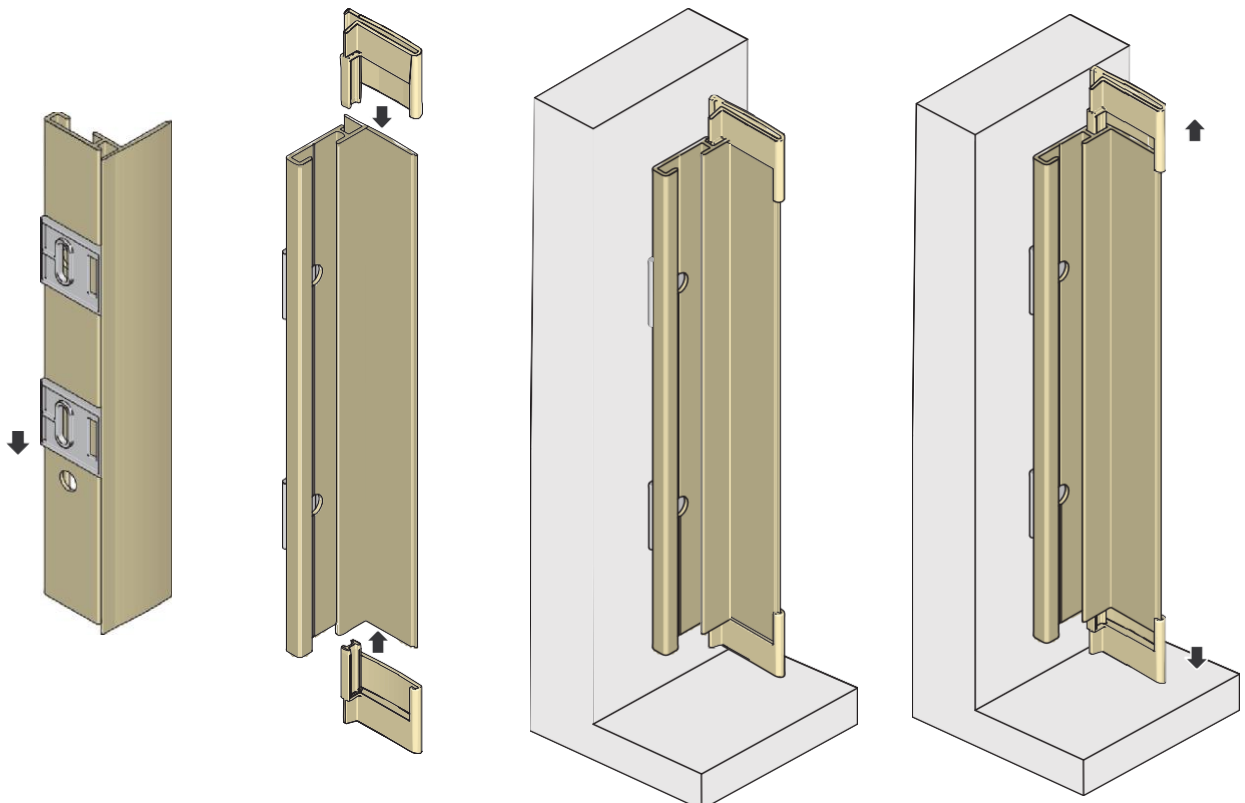
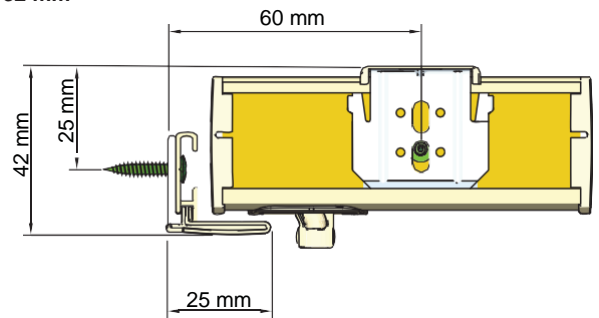
					
Height in mm					
- 1020	2	2	2	4	4
1021 - 1720	2	2	2	6	6
1721 - 2420	2	2	2	8	8
2421 - 3120	2	2	2	10	10
3121 - 4000	2	2	2	14	14

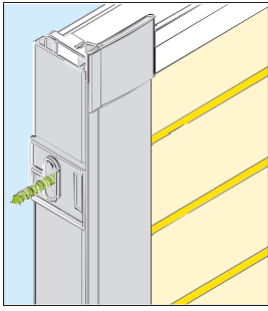
Profile - 25mm x 25mm

20/25 mm



32 mm

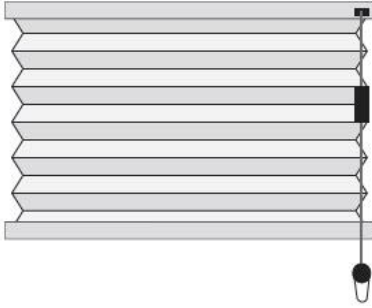




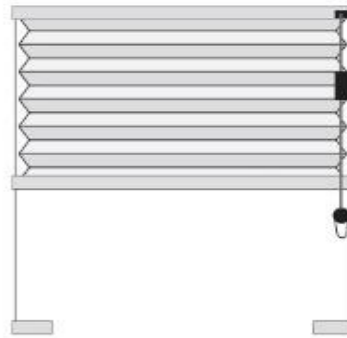
# Duette® LightLock™



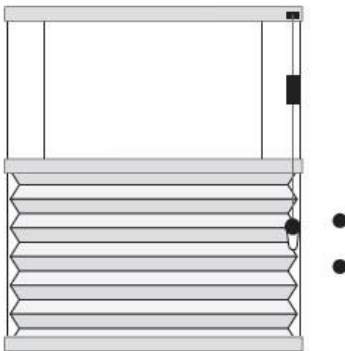
Models available:



Model 1101 - Pull cord  
 Model 1106 - 24v electric  
 Model 1109 - PowerView® built in battery



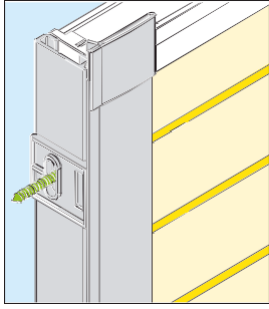
Model 3101 – Tensioned Pull cord  
 Model 3102 – Tensioned Handle  
 Model 3106 – Tensioned 24v electric  
 Model 3109 – Tensioned PowerView® built in battery



Model 3161 – Tensioned Pull cord  
 Model 3152 – Tensioned Hand operation  
 Model 3166 – Tensioned 24v electric  
 Model 3169 - Tensioned PowerView® built in battery

Minimum width	150mm <sup>①</sup>	Maximum width	1500mm <sup>②</sup>
Minimum drop	100mm <sup>③</sup>	Maximum drop	2200mm <sup>④</sup>

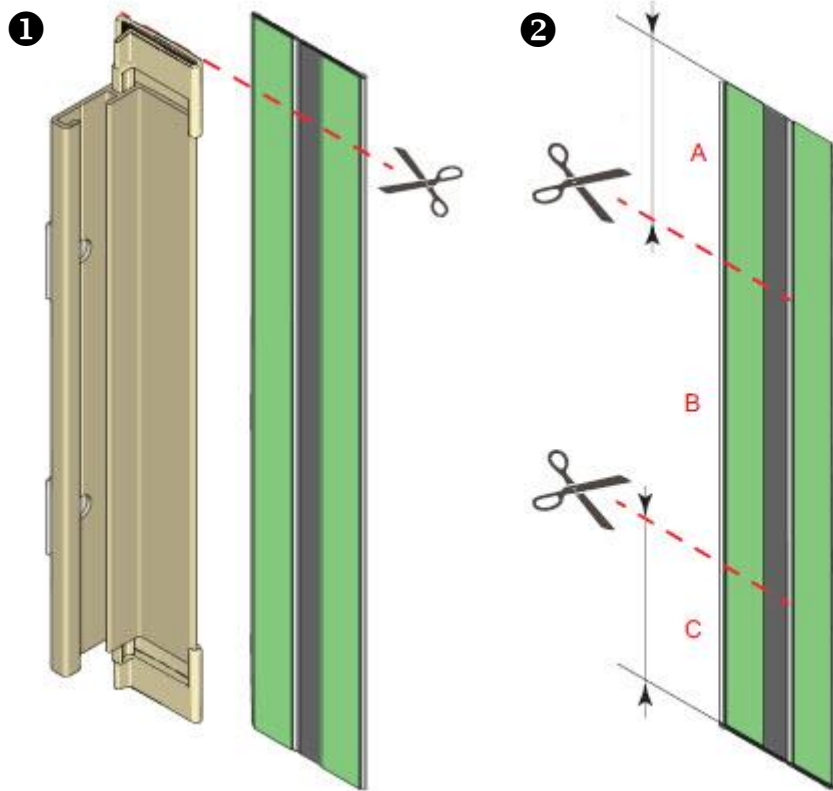
① ② ③ ④ - Please check min/max sizes per model, in current pricelist.



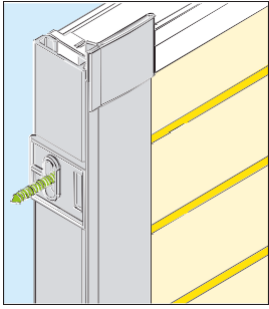
# Duette® LightLock™



Installation:



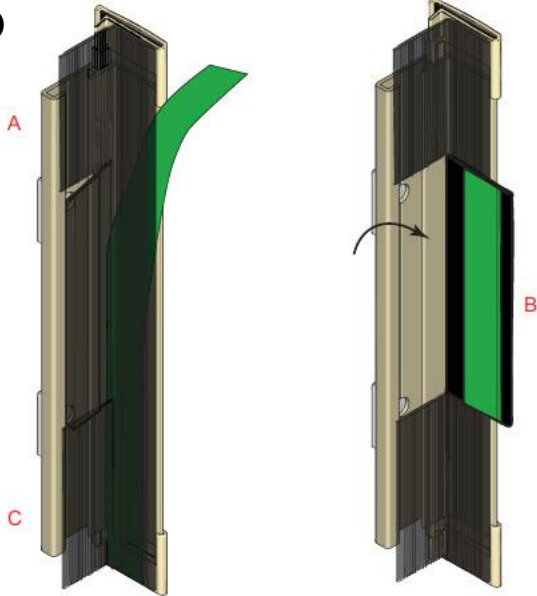
- Step 1      Cut the black insert to the size of the side profile
- Step 2      Mark then cut the black insert below where the holes are predrilled in the profile
- Step 3      Peel off the backing from the insert strip and apply to the profile, folding back the cutout. Making sure the backing strip has not been peeled off this part.
- Step 4      Install the blind into the brackets – making sure to leave an even gap either side to install the side profile.
- Step 5      Position the side profile down either side and screw to the wall
- Step 6      Peel and stick the remaining black insert strip over the screws.



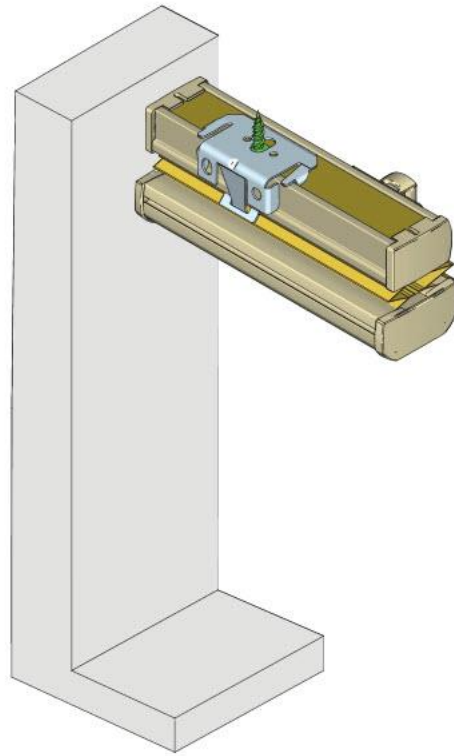
# Duette® LightLock™



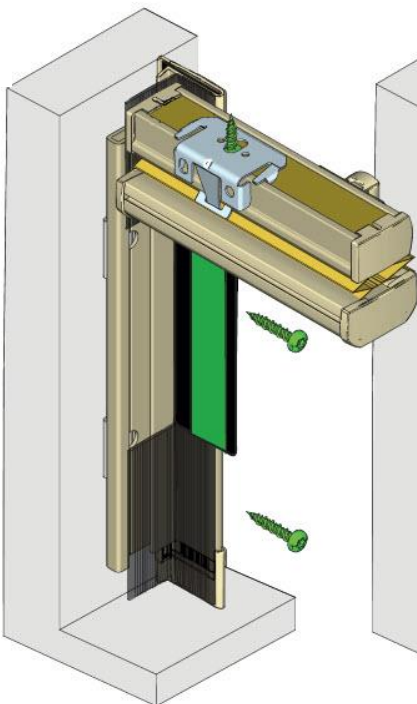
3



4



5



6

