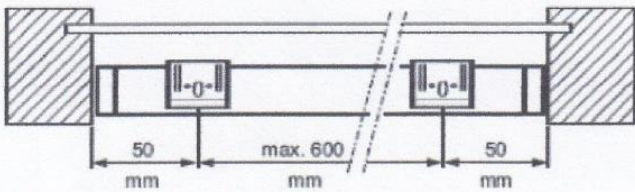


FLAT ROOF BLIND - FITTING INSTRUCTIONS

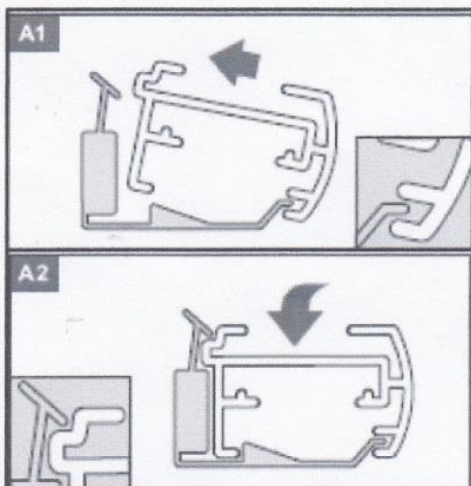
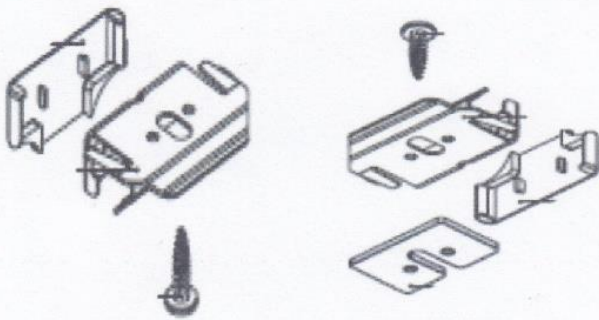
Thank you for purchasing this Luxaflex quality product. Please read and follow these installation and operating instructions carefully. We cannot accept responsibility for problems caused by not adhering to the instructions.

INSTALLATION OF STANDARD BRACKETS

1. Mark the positions of the brackets.
Make sure that the mounting position has secure fixings and that the position chosen for the blind will not interfere with such things as windows handles etc.



- 2a. Fix the brackets with the screws supplied, either face or top fixing as necessary. Packing wedges are supplied, which can be used to pack out the bracket where necessary.

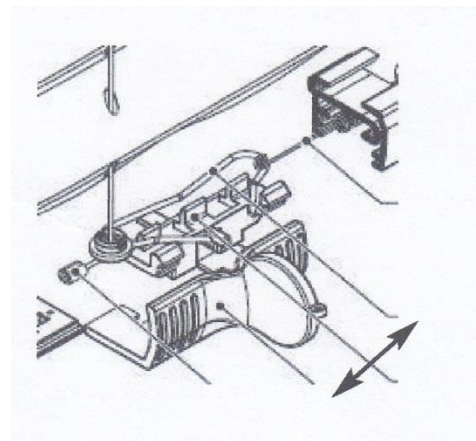


- 2b. Install head rails with sliding tensioners in a similar manner to the head rail as shown in point 2a, but you will need to fit with a minimum of one packing shim behind each bracket to allow for the sliding tensioners.

3. **Adjusting the Cable Tension.**

It is easy to adjust the tension using the red adjusting handle supplied. Place it over the tensioner in the rail and slide it left or right. One direction will increase the tension and the other will decrease the tension. After adjustment the handle can be removed and kept in a safe place for future use.

Repeat this process for however many tensioners on your blind.



4. The operating cords are also tied off to a sliding tensioner and can be adjusted in the same way, to create the optimum tension to hold the blind in place without being too much to make it stiff to operate.