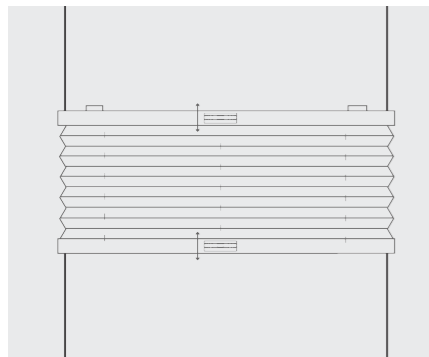


PLEASE READ THE INSTRUCTIONS BEFORE OPERATING THIS PRODUCT

OPERATION



To raise blind: Lift handle upwards until the blind reaches desired height.

To lower blind: Pull handle downward until blind reaches desired height.

MAINTENANCE

The product is maintenance free however we recommend that regular visual checks are completed to ensure that no components have been damaged, which could result in operating difficulties and/or cause a safety risk.

If any maintenance is required we recommend that the work is carried out immediately, by a reputable blind company.

We recommend opening and closing your blind regularly to maintain the pleats in the fabric. Recommended that pleated blinds should be stacked overnight, at least once a week to maintain their pleat and shape.

CLEANING

To prevent blinds from becoming dirty, the blinds should be cleaned regularly with a feather duster.



make it safe

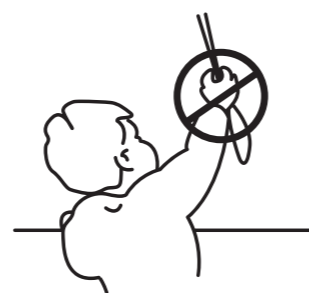
BBSA
BRITISH BLIND & SHUTTER ASSOCIATION

WARNING

Young children can be strangled by loops in pull cords, chains, tapes and inner cords that operate the product.

To avoid strangulation and entanglement, keep cords out of the reach of young children. Cords may become wrapped around a child's neck. Move beds, cots and furniture away from window covering cords.

Do not tie cords together. Make sure cords do not twist and create a loop.



J04



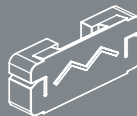
SOFTCELL J-SERIES

Tensioned Top Down Bottom Up

YOU SHOULD HAVE



Tensioned Face Fix Holder



Cord Holder



Tensioned Face Fix Holder Fastener

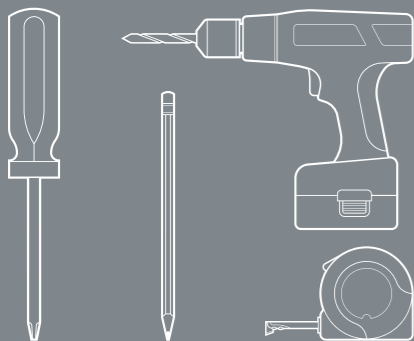


Window Fastener



Positioning Jig

YOU WILL NEED



- Screwdriver
- Pencil
- Drill
- Tape Measure

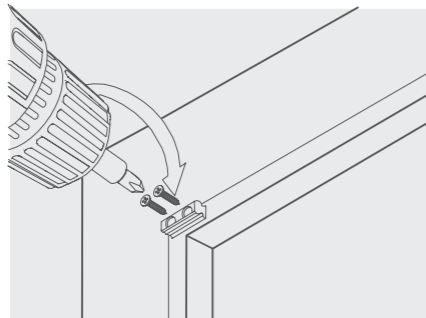
THE INSTALLATION OF THIS PRODUCT SHOULD BE CONDUCTED BY SOMEONE COMPETENT IN DIY.

STEP 1

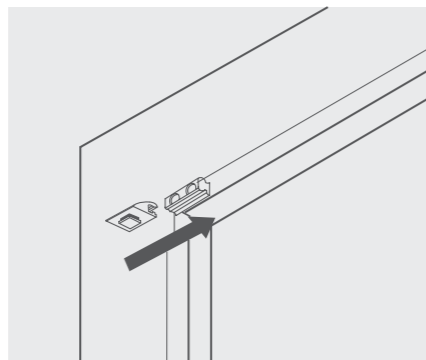
TENSIONED FACE FIXING INSTALLATION

Install the tensioned face fix holder fastener for the tensioned face fix holder, in the desired position using suitable fixings.

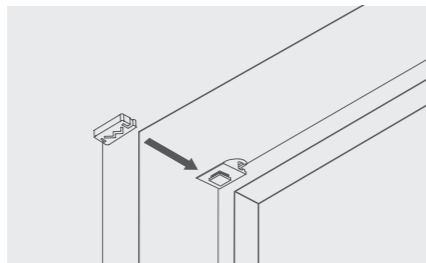
It is recommended that the tensioned face fix holder fastener is placed inline with top and side edges of the window recess. This block is to be installed in all 4 corners.



Attach the tensioned face fix holder onto the tensioned face fix holder fastener.



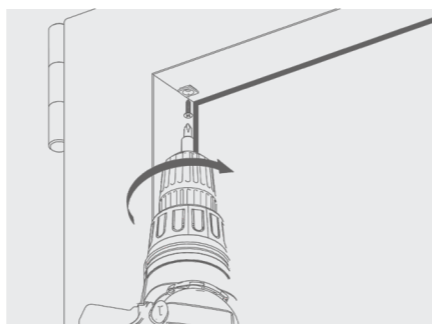
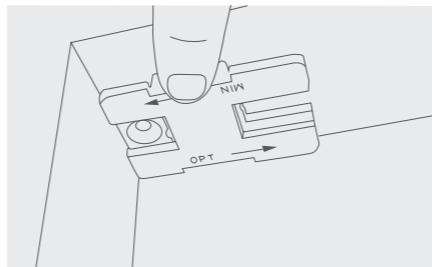
Fit the blind using cord holders.



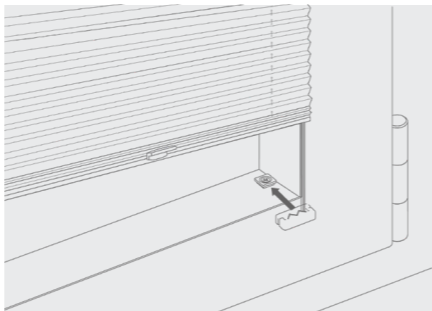
WINDOW FRAME INSTALLATION

Install the window fasteners for the cord holder in the desired position using suitable fixings. Using the positioning jig provided mark the position of the window fastener using a pencil.

Place positioning jig against against wall of recess. Ensure you allow clearance for any items such as window handles. Repeat in all 4 corners of the window.

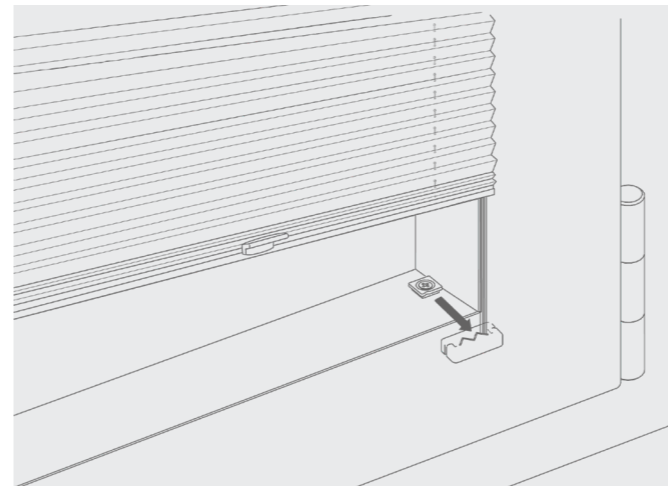


Fit the blind using cord holders.

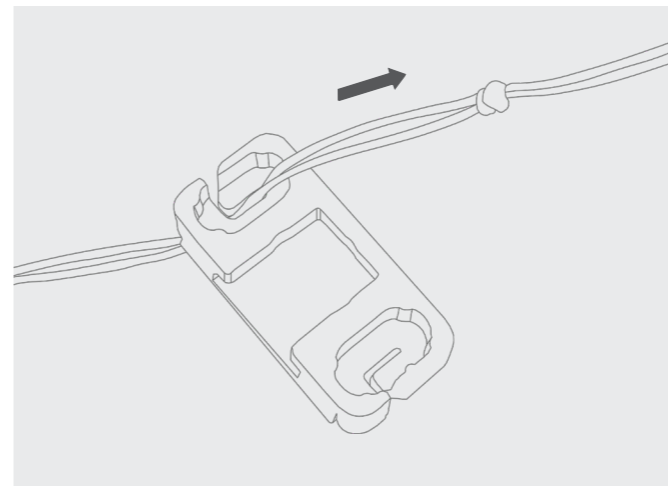


CORD RE-TENSIONING

Remove cord holder from window fastener.

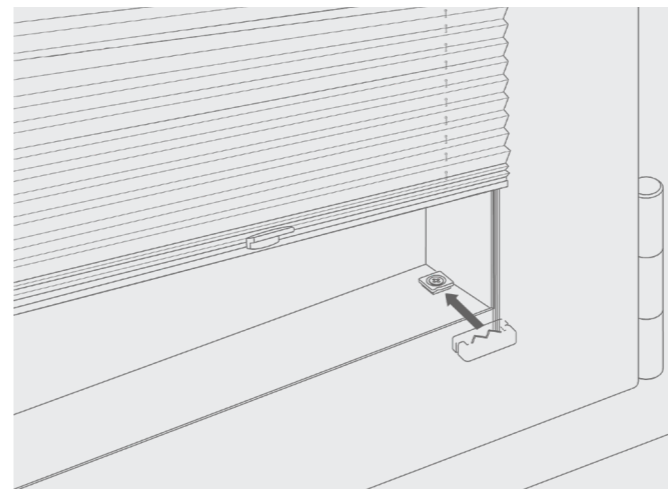


Pull cord from cord holder and undo knot.



Move position of knot accordingly and re-tie.

Slide cord holder back onto the window fastener.



Repeat on the other side.