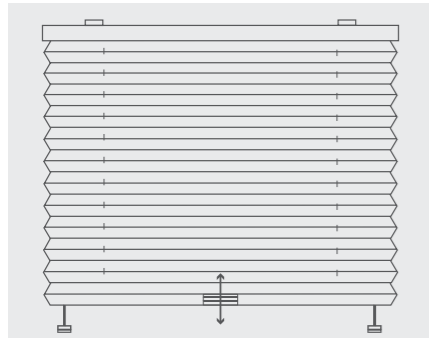


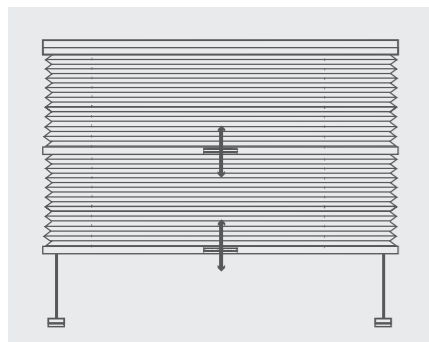
PLEASE READ THE INSTRUCTIONS BEFORE OPERATING THIS PRODUCT

OPERATION

BOTTOM UP



DAY/NIGHT BOTTOM UP



To lower blind: Pull handle downward until blind reaches desired height.

To raise blind: Lift handle upwards until the blind reaches desired height.

MAINTENANCE

The product is maintenance free however we recommend that regular visual checks are completed to ensure that no components have been damaged, which could result in operating difficulties and/or cause a safety risk.

If any maintenance is required, we recommend that the work is carried out immediately by a reputable blind company.

We recommend opening and closing your blind regularly to maintain the pleats in the fabric. Recommended that pleated blinds should be stacked overnight, at least once a week to maintain their pleat and shape.

CLEANING

To prevent blinds from becoming dirty, the blinds should be cleaned regularly with a feather duster.



make it safeTM

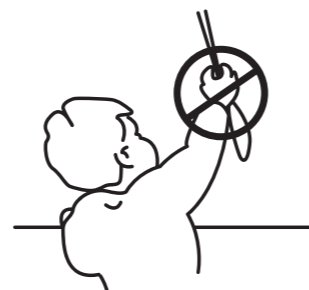
BBSA[®]
BRITISH BLIND & SHUTTER ASSOCIATION

WARNING

Young children can be strangled by loops in pull cords, chains, tapes and inner cords that operate the product.

To avoid strangulation and entanglement, keep cords out of the reach of young children. Cords may become wrapped around a child's neck. Move beds, cots and furniture away from window covering cords.

Do not tie cords together. Make sure cords do not twist and create a loop.



J03 & J05



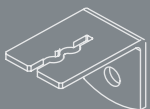
SOFTCELL J-SERIES

Bottom Up
Day/Night - Bottom Up

YOU SHOULD HAVE



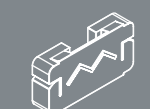
Top Fix Bracket



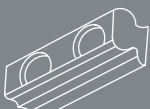
Face Fix Bracket



Nut & Bolt



Cord Holder



Face Fix Cord Holder Fastener



Tensioned Face Fix Holder

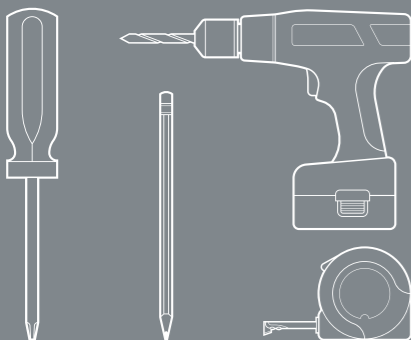


Window Fastener



Positioning Jig

YOU WILL NEED



- Screwdriver
- Pencil
- Drill
- Tape Measure

THE INSTALLATION OF THIS PRODUCT SHOULD BE CONDUCTED BY SOMEONE COMPETENT IN DIY.

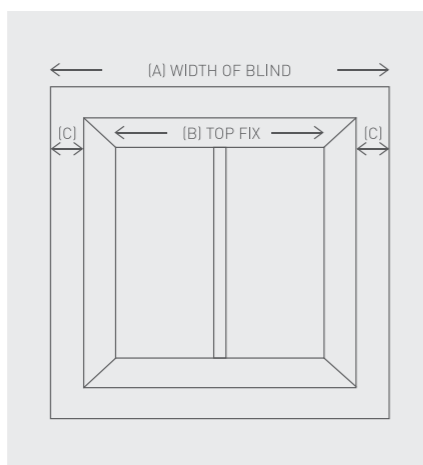
STEP 1

OUTSIDE RECESS

If the blind is to be fitted outside the window, ensure that measurement C is the same. Follow instructions for FACE FIXING. To calculate C $(A-B)/2$.

INSIDE RECESS

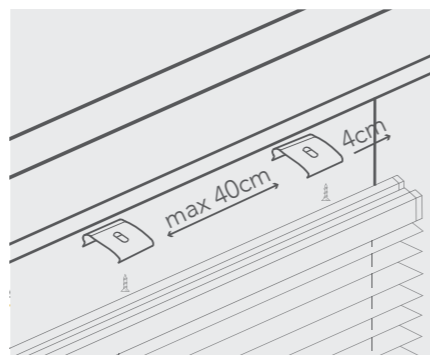
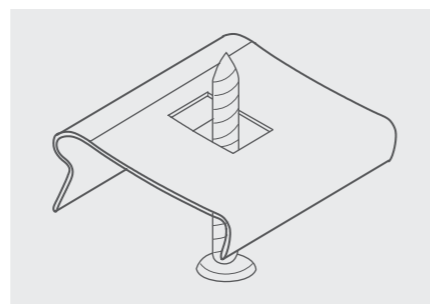
TOP FIX to the lintel. FACE FIX bracket to the window frame.



STEP 2

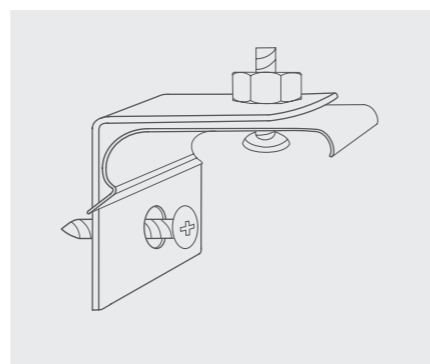
TOP FIXING

Measure and mark the distance between the wall and the back of the bracket, allowing for obstructions like handles that protrude into the recess area. The installation brackets (top and face fix) are positioned evenly along the width of the blind. Hold each bracket into place and mark the hole positions. Please ensure fixings are suitable for the wall/surface to which you are mounting the brackets.



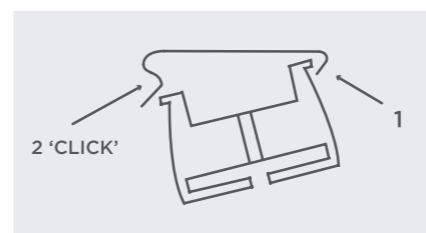
FACE FIXING

If face fixing profile use the additional bracket provided.



STEP 3

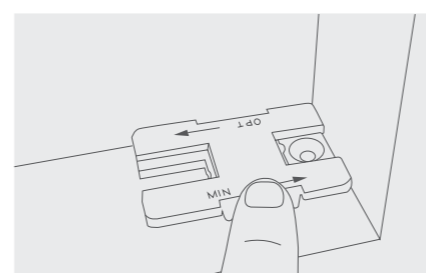
Feed the headrail into the brackets as shown. Guide the front of the headrail in first followed by the back. You will hear a "click" when the blind is secured.



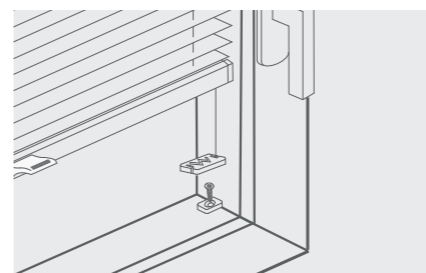
STEP 4

BOTTOM FIXING

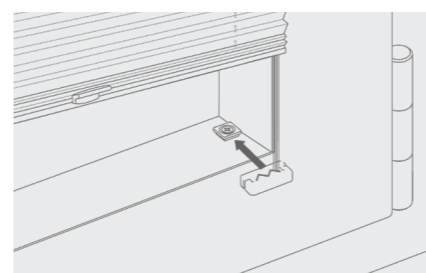
Using the positioning jig as shown below, mark where the window fastener is to be placed.



When marked out, use suitable screws to attach the window fastener in each corner.



Slide cord holder onto window fastener.



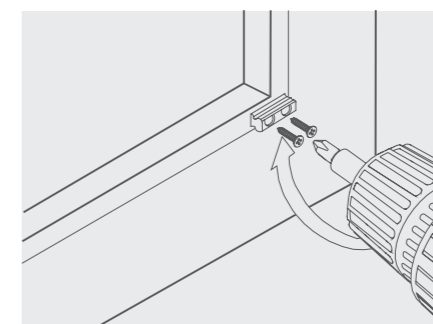
Repeat on the other side.

STEP 4

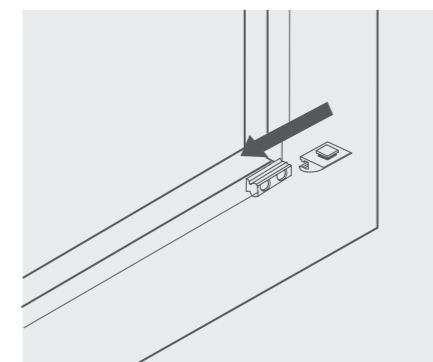
FACE FIXING

Install the window fasteners for the face fix cord holder fastener, in the desired position using suitable fixings.

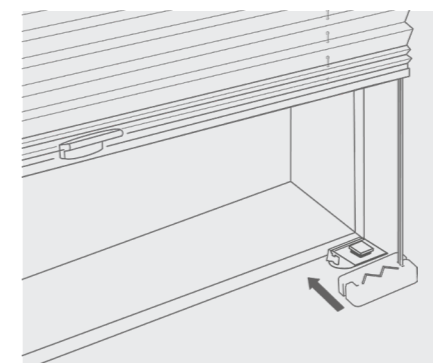
It is recommended that the fixing block is placed inline with top and side edges of the window recess. This block is to be installed on 2 bottom corners.



Attach the tensioned face fix holder onto the face fix cord holder fastener.



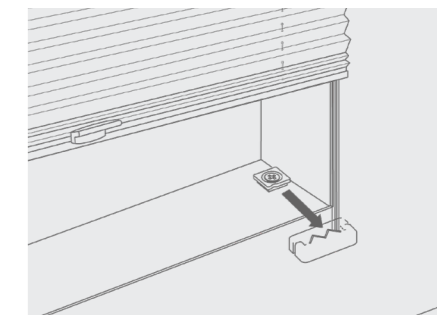
Slide cord holder onto tensioned face fix holder.



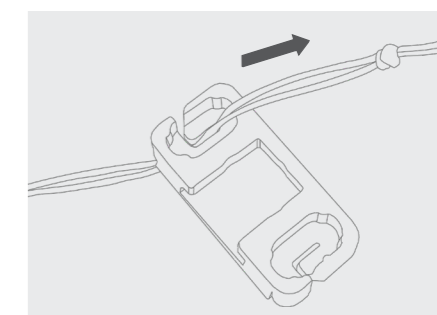
Repeat on the other side.

CORD RE-TENSIONING

Remove cord holder from window fastener.

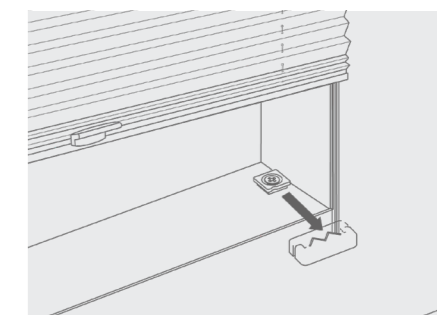


Pull cord from cord holder and undo knot.



Move position of knot accordingly and re-tie.

Slide cord holder back onto the window fastener.



Repeat on the other side.

CHILDREN CAN STRANGLE IF A SAFETY DEVICE IS NOT INSTALLED. ALWAYS USE A SAFETY DEVICE TO KEEP CORDS AND CHAINS OUT OF REACH OF CHILDREN.