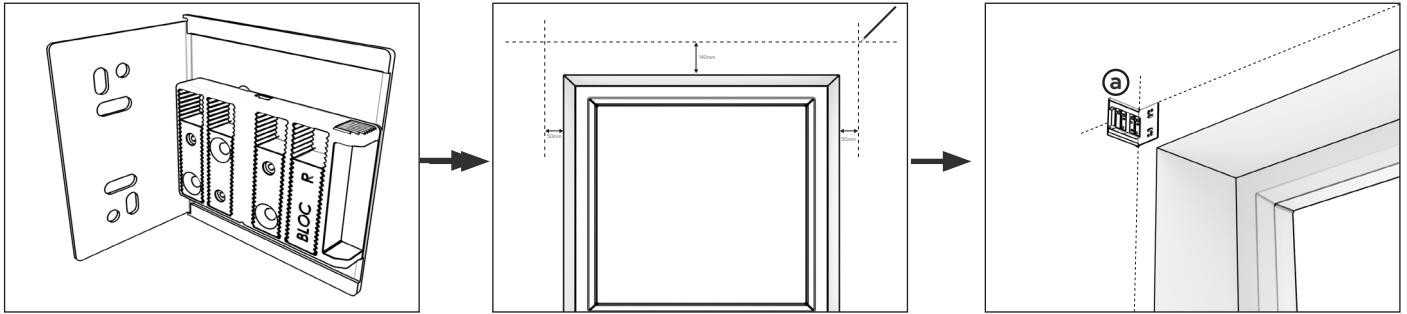
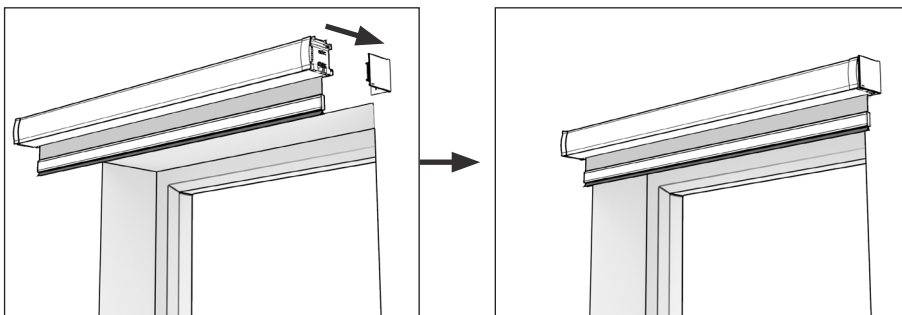


1 Fix L brackets



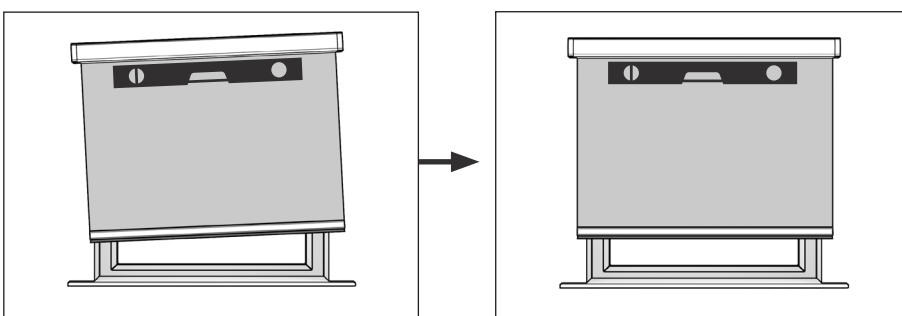
- Measure a minimum of 50mm from the recess edge on each side, and 140mm from the top of the recess with a tape measure, marking with a pencil as shown.
- Secure the L brackets using screw (a) x2 and drill if needed.
- Repeat on both sides.

2 Slide cassette into L brackets



- Align the cassette with the L brackets and press firmly.
- Ensure the cassette is secure before removing hands.

3 Check cassette is level

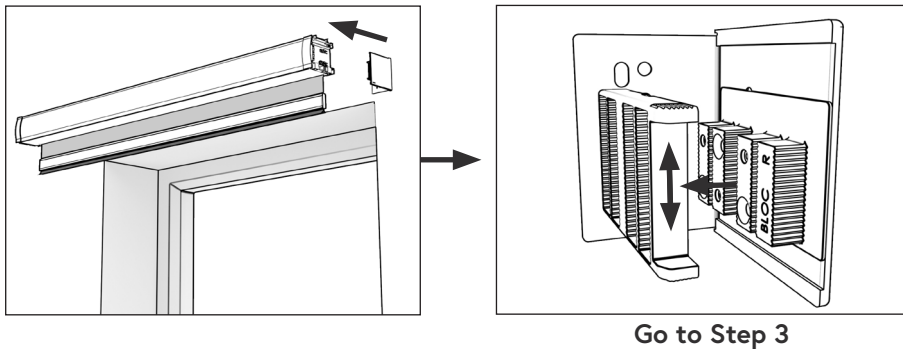


Go to Step 4

Go to Step 5

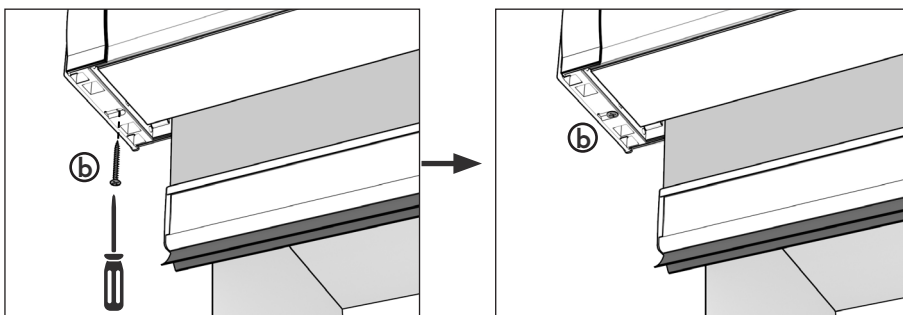
- Place a spirit level on the underside edge of the cassette (the metal casing of the blind) to check if the cassette is level.
- If the cassette is level proceed to step 5.
- If the cassette is not level proceed to step 4.

4 Adjust L bracket



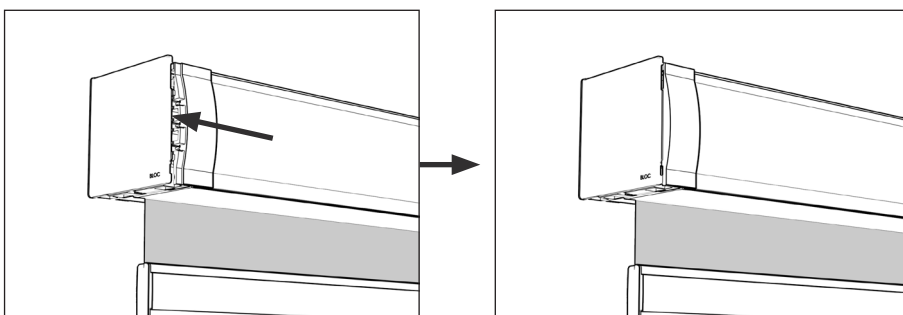
- Remove the cassette from the L brackets by pulling with some pressure.
- Remove the adjustable insert from the L bracket and adjust accordingly to level the cassette.
- Return to step 3.

5 Secure cassette



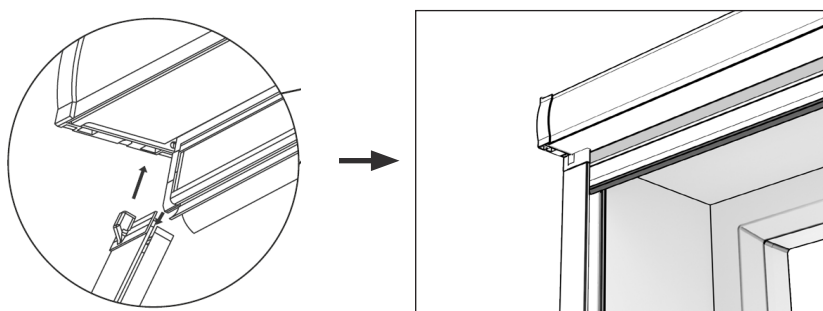
- Secure the cassette using screw (b).
- Repeat on both sides.
- Secure using a screwdriver only.

6 Adjust cassette end caps



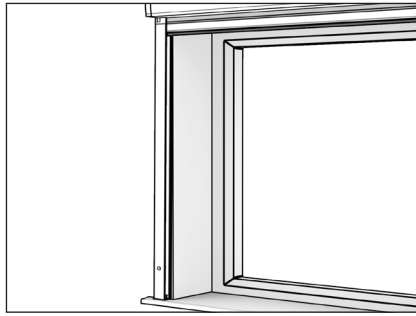
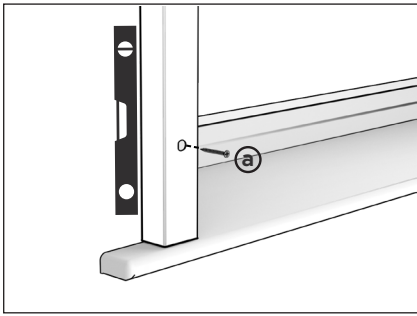
- Fit the end caps by pressing the covers into cassette.
- Adjust the end caps by sliding them to seal the gap between the L brackets.

7 Slide siderails into cassette



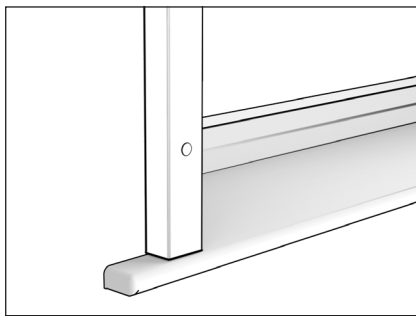
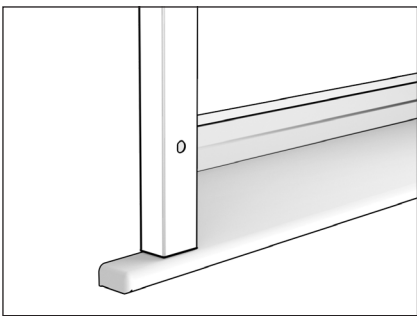
- Slide fabric into the wide channel of the siderail.
- The top of the siderail should clip into the cassette.

8 Secure siderails



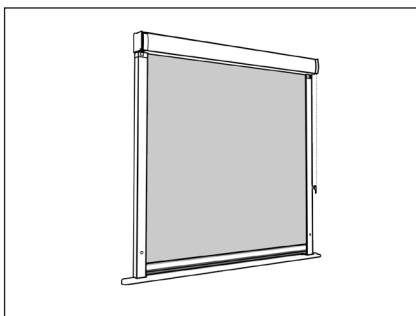
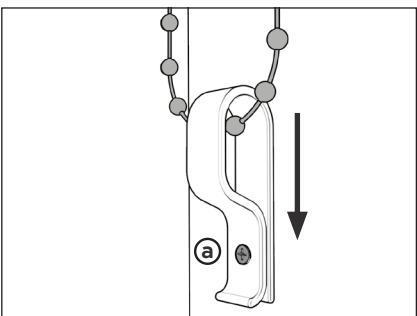
- Ensure the siderail is vertically level.
- Mark screw holes on wall.
- Secure with screw (a) and drill if needed.

9 Fit screw covers



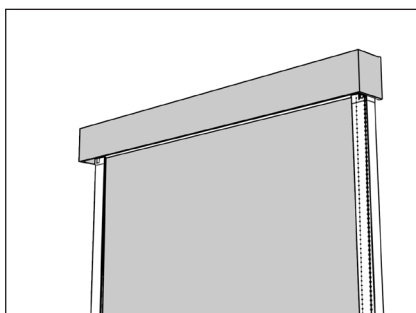
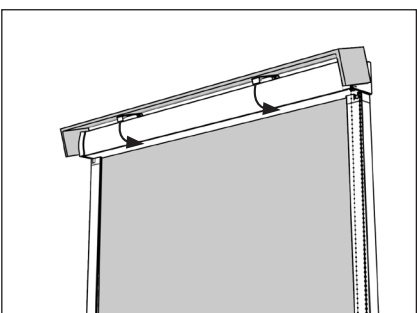
- Insert the screw covers to fill the exposed holes.
- Repeat siderail steps on both sides.

10 Secure P-clip (Manual blind)



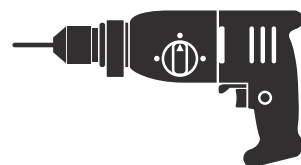
- Secure P clip to the wall using screw (a) and drill if needed.

11 Clip on pelmet (Optional)

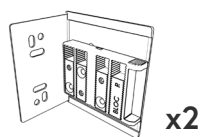
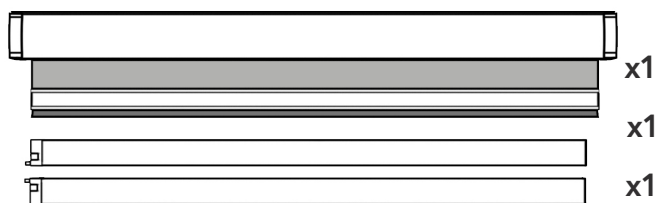


- Hook the top of the pelmet to the cassette.
- Press firmly on the bottom of the pelmet until it clips into position.

Tools needed



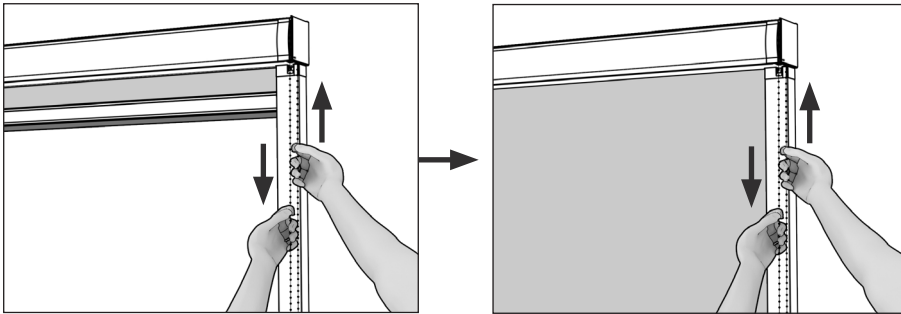
Contents of package



The rawl plugs provided may be used depending on the wall type.

How to operate

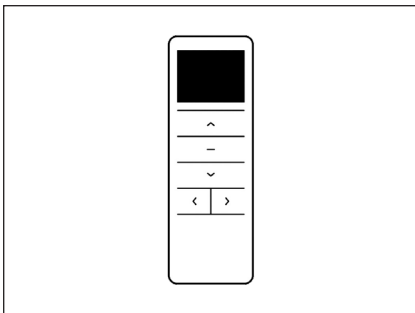
Manual Operation - Always use two hands to lower and raise the blind.



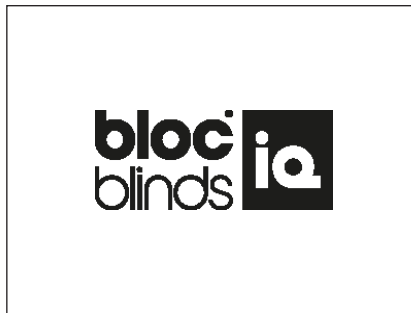
- Pull chain downwards with one hand and feed the chain upwards with the other.
- Avoid pulling sharply on the chain to prevent breakage.

Motorised Operation

Remote control



Bloc iQ Smart System



- Motorised Blinds are operated using the remote control or Bloc iQ Smart System, please refer to those instructions for direction.



BLC-1230



BlocOut XL - Manual + Motorised Surface Fit